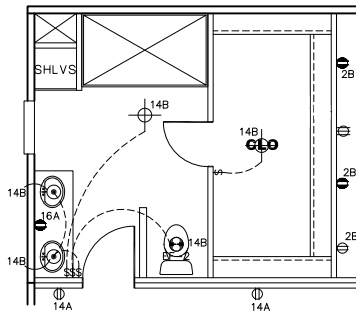
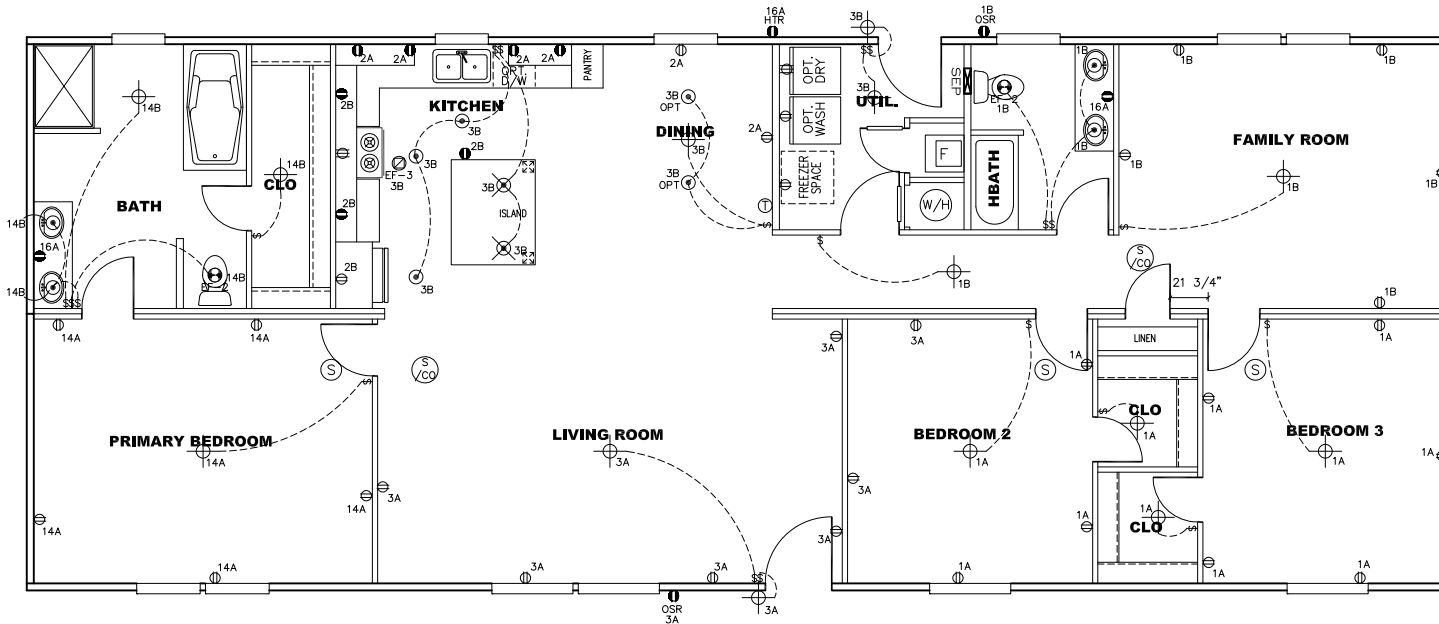


CIRCUIT	CIRCUIT #	WIRE	BREAKER	CIRCUIT	CIRCUIT #	WIRE	BREAKER	CIRCUIT	CIRCUIT #	WIRE	BREAKER
LIGHT/RECEP	1A,B,3A,B,14A,B	14-2	15-SP	WATER HEATER	4A,6B	SEE NOTE #8		BATHROOM	16A	12-2	20-SP
KITCHEN/DINING	2A,2B	12-2	20-SP	RANGE	5B,7A	SEE NOTE #8		OPT G/DISP	9B	SEE NOTE #8	
WASHER	12A	12-2	20-SP	OPT GAS RANGE	15B	SEE NOTE #8		OPT SPA/WP/JAC	11A,B	SEE NOTE #8	
DRYER	5A,7B	SEE NOTE #8		FURNACE	6A,8A,B,10A,B	SEE NOTE #8		FREEZER	13A	SEE NOTE #8	
				OPT D/WASH	9A	SEE NOTE #8					
				SMOKE ALARM	4B	SEE NOTE #8					



GLAMOUR BATH OPT.



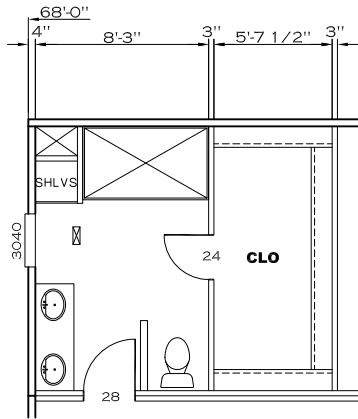
NOTES:

- ALL CIRCUITS SHOWN ARE FOR REFERENCE AND MAY BE CHANGED BASED ON OPTIONAL COMPONENTS INSTALLED IN THE HOME.
- REFER TO DAPIA MANUAL FOR SYMBOL CHART.
- EITHER LIGHT OR RECEPTACLE MUST CONNECT TO SWITCH.
- EF-1= 50 CFM EXHAUST FAN REQUIRED FOR THERMAL ZONE III THERMAL ZONES I & II MAY USE FAN OR WINDOW W/1.5 SQ. FT. OPENABLE GLASS.
- EF-2= 50 CFM EXHAUST FAN REQUIRED THERMAL ZONE I, II, AND III.
- EF-3= 100 CFM RANGE EXHAUST FAN, SWITCH AT HOOD.
- EF-4= WHOLE HOUSE VENTILATION REQUIREMENTS PER DAPIA MANUAL.
- REFER TO DAPIA MANUAL OR THE MFG. INSTALLATION INSTRUCTIONS FOR PROPER WIRE SIZE AND BREAKER SIZE FOR SPECIFIC APPLIANCE AND MODEL BEING INSTALLED.
- ALL SMOKE ALARMS TO BE LOCATED ON THE CEILING.
- CARBON MONOXIDE ALARMS ARE ONLY REQUIRED WHEN HOME HAS EITHER FUEL BURNING APPLIANCES, IS GARAGE READY OR IS BASEMENT READY. REFERENCE DAPIA MANUAL FOR ADDITIONAL INFORMATION.
- DIMENSIONS SHOWN ON PRINT ARE APPROXIMATE AND TO BE USED ONLY AS A GUIDELINE.

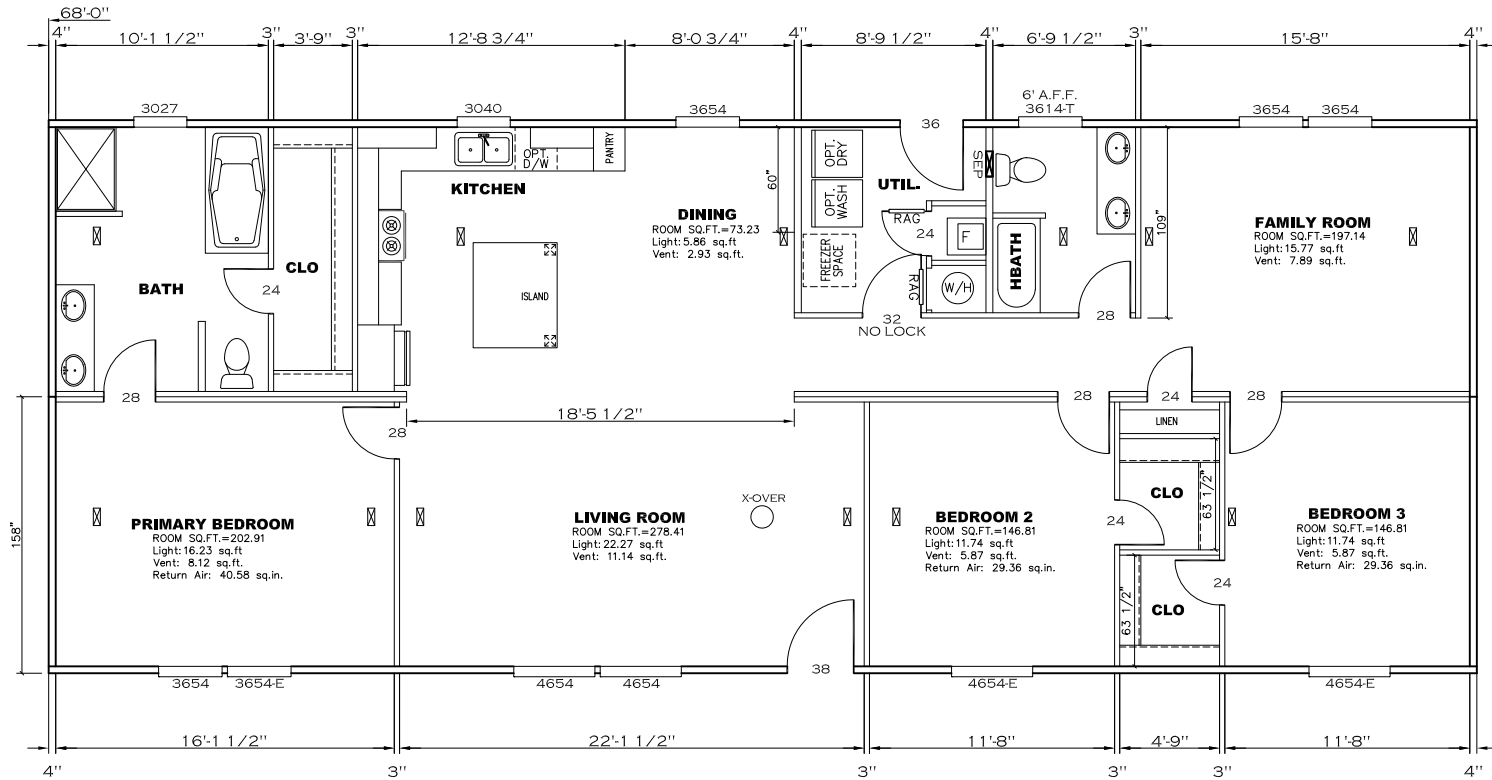
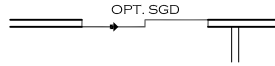
APPROVED **HWC** **APPROVED**
 17 JAN 2022
 FP-28-5508
 Federal Manufactured
 Home Construction
 And Safety Standards

1790 SQ.FT. (STD PLAN "CONDITIONED")
 N/A SQ.FT. (W/OPT. PORCH/RECESS "CONDITIONED")

CMH MANUFACTURING	Model #: UXL28G83A	Drawing #:
	Date: 1/2/2021	Scale: NTS 29m182
Product Designer: E HARDWICK		28 X 68 Ultra Excel
ELECTRICAL PLAN-06		



GLAMOUR BATH OPT.

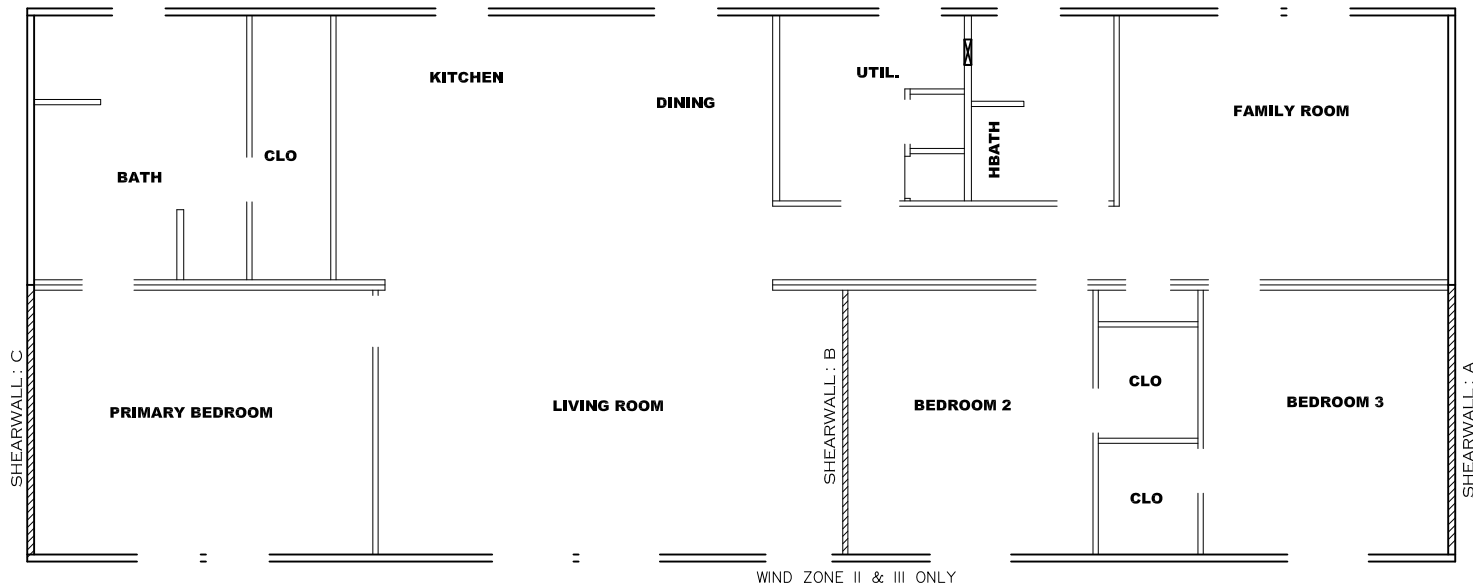


APPROVED **HWC** **APPROVED**
 17 JAN 2022
 FP-28-5508
 Federal Manufactured
 Home Construction
 And Safety Standards

1790 SQ.FT. (STD PLAN "CONDITIONED")
 N/A SQ.FT. (W/OPT. PORCH/RECESS "CONDITIONED")

CMH MANUFACTURING	Model #: UXL28683A	Drawing #:
	Date: 1/2/28/21	Scale: NTS 29m182
Product Designer: E HARDWICK		28 X 68 Ultra Excel

FLOOR PLAN



Model # 29m182-8ft

Minimum Joist Spacing 16 "

- Box Width = 158 " Double wide No Offset Box
- Box Length = 68 ft. 95.5" 10" MIN. IBEAM No Clerestory
- No Skylights No Origami Dormer
- No Porches No Sunken Floor
- Joist Size = #2 spf 2x6 Lags 9Mx3" No Parapet Roof

Version R13.8

Wind Zone 1 Standard Roof						
(3/8" sheathing only with 15 gax 1.5" at 5"/10" oc. (197 plf) Chords: #3 2x4 plate w/ 2x4 rail spliced w/ 12" glue block.						96 inch sidewall
Shearwall	Dist./ Hitch	Length	PLF	# of Joists	Lags	Notes
A	0'	Full	162	2	1/1	
C	68'	Full	162	2	1/1	
Wind Zone 2 Standard Roof						
(3/8" sheathing only with 15 gax 1.5" at 5"/10" oc. (197 plf) Chords: #3 2x4 plate w/ 2x4 rail spliced w/ 12" glue block.						96 inch sidewall
Shearwall	Dist./ Hitch	Length	PLF	# of Joists	Lags	Notes
A	0'	Full	425	2	5/5	
B	29.04'	Full	425	2	3/3	0.66
C	68'	Full	425	2	5/5	
Wind Zone 3 Standard Roof						
(3/8" sheathing only with 15 gax 1.5" at 5"/10" oc. (197 plf) Chords: #3 2x4 plate w/ 2x4 rail spliced w/ 12" glue block.						96 inch sidewall
Shearwall	Dist./ Hitch	Length	PLF	# of Joists	Lags	Notes
A	0'	Full	425	2	5/5	
B	29.04'	Full	515	2	4/4	0.66
C	68'	Full	425	2	5/5	

I W G

17 JAN 2022
FP-28-5508

Federal Manufactured Home Construction And Safety Standards

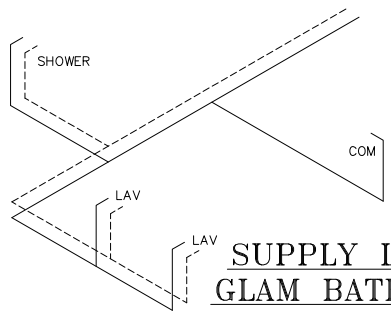
APPROVED

1790 SQ.FT. (STD PLAN "CONDITIONED")
N/A SQ.FT. (W/OPT. PORCH/RECESS "CONDITIONED")

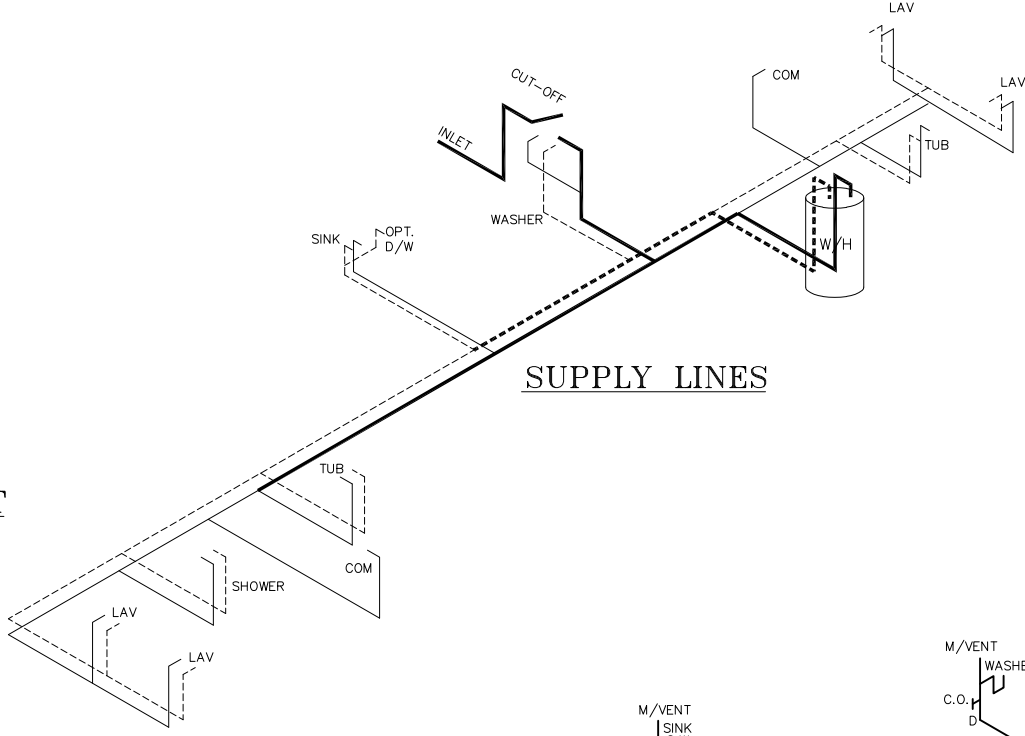
CMH MANUFACTURING	Model #: UXL28G83A	Drawing #:
	Date: 1/2/28/21	Scale: NTS 29m182
Product Designer: E HARDWICK		28 X 68 Ultra Excel
8' SHEARWALL		

NOTE:
 DASHED LINES INDICATE HOT WATER
 SOLID LINES INDICATE COLD WATER

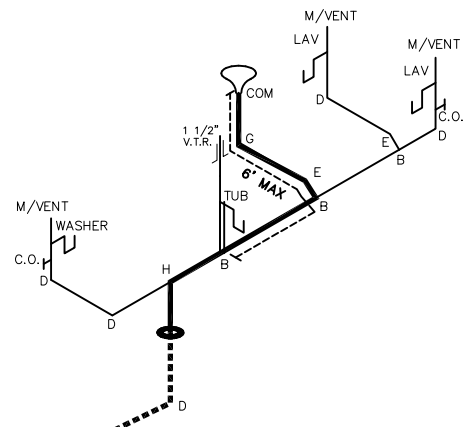
— = 3/4"
 — = 1/2"



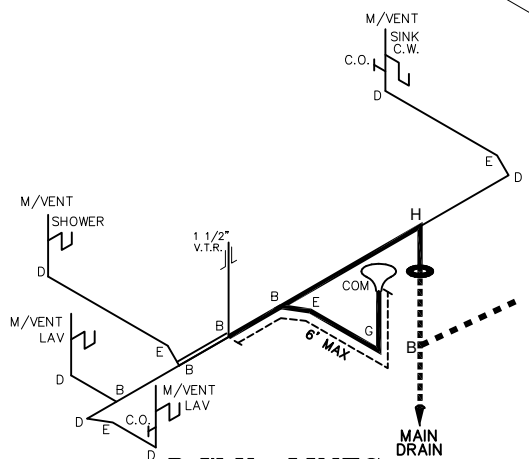
**SUPPLY LINES
 GLAM BATH OPT**



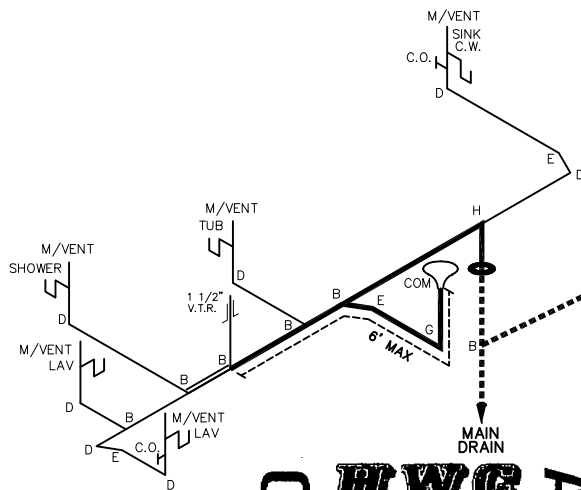
SUPPLY LINES



D.W.V. LINES



**D.W.V. LINES
 GLAM BATH OPT**



LEGEND	
A	SHORT TURN T-Y
B	LONG TURN T-Y
C	1/4 BEND
D	LONG SWEEP 1/4 BEND
E	45 ELL
F	DBL. SANITARY TEE
G	4x3 CLOSET ELL
H	DOUBLE ELL
I	22 1/2° ELL
J	45° Y
K	LONG TURN STREET ELBOW
L	45 FTG ELL

DWV LINE SIZE CHART	
—	= 3"
—	= 2"
—	= 1 1/2"

APPROVED
RWC
APPROVED

17 JAN 2022
 FP-28-5508

Federal Manufactured
 Home Construction
 And Safety Standards

1790 SQ.FT. (STD PLAN "CONDITIONED")
 N/A SQ.FT. (W/OPT. PORCH/RECESS "CONDITIONED")

CMH MANUFACTURING Product Designer: E HARDWICK	Model #: UXL28683A Date: 1/22/21 Scale: NTS	Drawing #: 29m182
	D.W.V. and Supply Lines	