

NOTES:

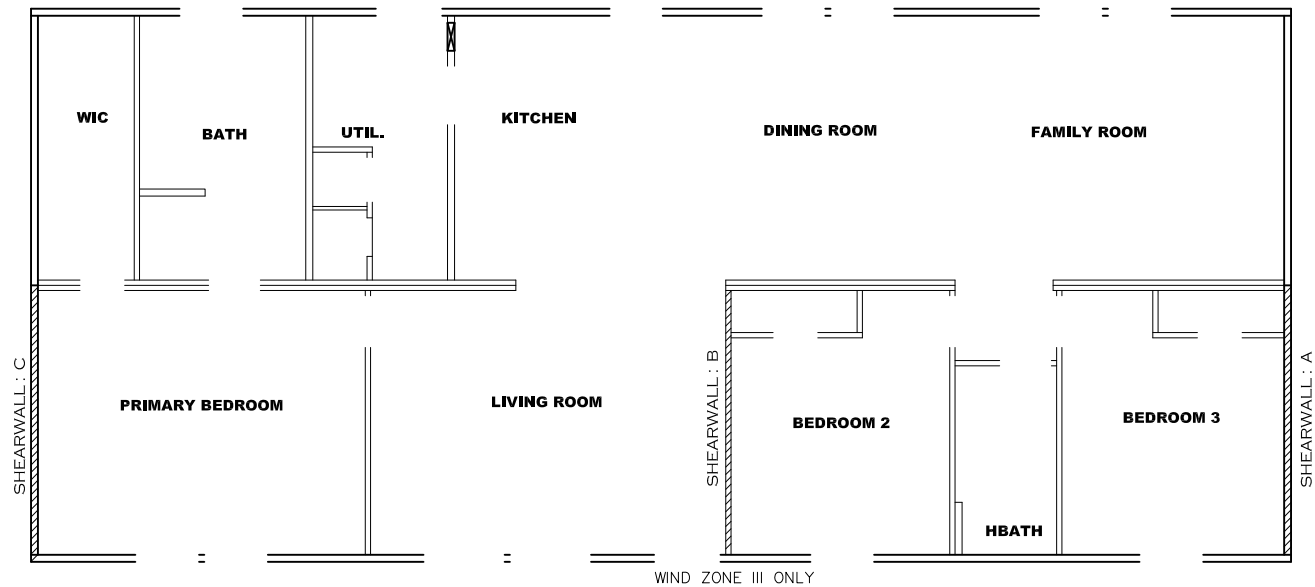
1. ALL CIRCUITS SHOWN ARE FOR REFERENCE AND MAY BE CHANGED BASED ON OPTIONAL COMPONENTS INSTALLED IN THE HOME.
2. REFER TO DAPIA MANUAL FOR SYMBOL CHART.
3. EITHER LIGHT OR RECEPTACLE MUST CONNECT TO SWITCH.
4. EF-1= 50 CFM EXHAUST FAN REQUIRED FOR THERMAL ZONE III THERMAL ZONES I & II MAY USE FAN OR WINDOW W/1.5 SQ. FT. OPENABLE GLASS.
5. EF-2= 50 CFM EXHAUST FAN REQUIRED THERMAL ZONE I, II, AND III.
6. EF-3= 100 CFM RANGE EXHAUST FAN, SWITCH AT HOOD.
7. EF-4= WHOLE HOUSE VENTILATION REQUIREMENTS PER DAPIA MANUAL.
8. REFER TO DAPIA MANUAL OR THE MFG. INSTALLATION INSTRUCTIONS FOR PROPER WIRE SIZE AND BREAKER SIZE FOR SPECIFIC APPLIANCE AND MODEL BEING INSTALLED.
9. ALL SMOKE ALARMS TO BE LOCATED ON THE CEILING.
10. CARBON MONOXIDE ALARMS ARE ONLY REQUIRED WHEN HOME HAS EITHER FUEL BURNING APPLIANCES, IS GARAGE READY OR IS BASEMENT READY. REFERENCE DAPIA MANUAL FOR ADDITIONAL INFORMATION.
11. DIMENSIONS SHOWN ON PRINT ARE APPROXIMATE AND TO BE USED ONLY AS A GUIDELINE.

APPROVED **HWC** **APPROVED**
 13 JAN 2022
 FP-28-5505
 Federal Manufactured
 Home Construction
 And Safety Standards

CIRCUIT	CIRCUIT #	WIRE	BREAKER	CIRCUIT	CIRCUIT #	WIRE	BREAKER	CIRCUIT	CIRCUIT #	WIRE	BREAKER
LIGHT/RECEP	1A,B,3A,B,14A,12B	14-2	15-SP	WATER HEATER	4A,6B	SEE NOTE #8		BATHROOM	16 A	12-2	20-SP
KITCHEN/DINING	2A,2B	12-2	20-SP	RANGE	5B,7A	SEE NOTE #8		OPT G/D/ISP	9B	SEE NOTE #8	
WASHER	12A	12-2	20-SP	OPT GAS RANGE	15B	SEE NOTE #8		OPT SPA/WP/JAC	11A,B	SEE NOTE #8	
DRYER	5A,7B	SEE NOTE #8		FURNACE	6A,8A,B,10A,B	SEE NOTE #8		FREEZER	N/A	SEE NOTE #8	
				OPT D/WASH	9A	SEE NOTE #8					
				SMOKE ALARM	4B	SEE NOTE #8					

1580 SQ.FT. (STD PLAN "CONDITIONED")
 N/A SQ.FT. (W/OPT. PORCH/RECESS "CONDITIONED")

CMH MANUFACTURING	Model #: UXL28G03A	Drawing #:
	Date: 1/2/20/21 Scale: N/A	29M180
Product Designer: E HARDWICK		28 X 60 Ultra Excel G03
ELECTRICAL PLAN-06		



WIND ZONE III ONLY

WIND ZONE III ONLY

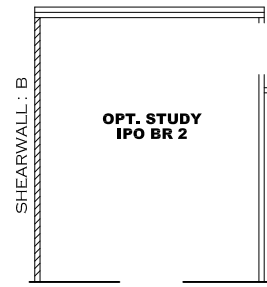
Model # 29M180-8FT

Minimum Joist Spacing 16"

Box Width = 158" Double wide No Offset Box
 Box Length = 60 ft. 95.5" 12" MIN. IBEAM No Clerestory
 No Skylights No Origami Dormer
 No Porches No Sunken Floor
 Joist Size = #2 sp 2x6 Lags 9Mx3" No Parapet Roof

Version R13.6a

Shearwall	Dist./ Hitch	Length	PLF	# of Joists	Lags	Notes
Wind Zone 1 Standard Roof (3/8" sheathing only with 15 gax 1.5" at 5"/10" oc. (197 plf) Chords: #3 2x4 plate w/ 2x4 rail spliced w/ 12" glue block. 96 inch sidewall)						
Diaphragm Construction:						
A	0'	136"	162	2	2/1	
C	60'	136"	162	2	2/1	
Wind Zone 2 Standard Roof (3/8" sheathing only with 15 gax 1.5" at 5"/10" oc. (197 plf) Chords: #3 2x4 plate w/ 2x4 rail spliced w/ 12" glue block. 96 inch sidewall)						
Diaphragm Construction:						
A	0'	Full	425	2	5/5	
C	60'	Full	425	2	5/5	
Wind Zone 3 Standard Roof (3/8" sheathing only with 15 gax 1.5" at 5"/10" oc. (197 plf) Chords: #3 2x4 plate w/ 2x4 rail spliced w/ 12" glue block. 96 inch sidewall)						
Diaphragm Construction:						
A	0'	Full	425	2	5/5	
B	26.79'	Full	515	2	4/4	
C	60'	Full	425	2	5/5	



APPROVED **HWC** **APPROVED**
 13 JAN 2022
 FP-28-5505
 Federal Manufactured Home Construction And Safety Standards

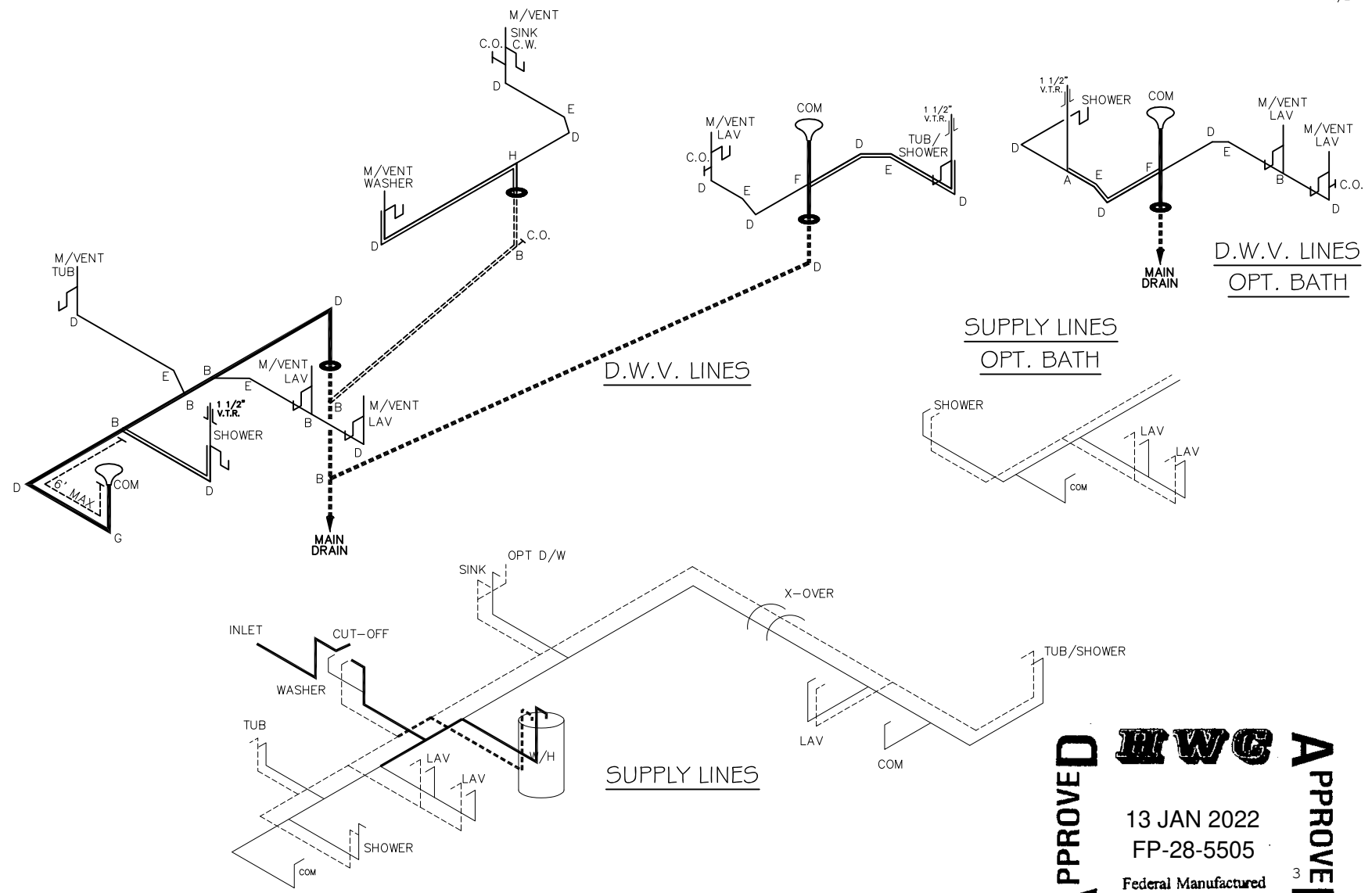
1580 SQ.FT. (STD PLAN "CONDITIONED")
 N/A SQ.FT. (W/OPT. PORCH/RECESS "CONDITIONED")

CMH MANUFACTURING	Model #: UXL28G03A Date: 1/2/2021 Scale: N/A	Drawing #: 29M180
Product Designer: E HARDWICK		28 X 60 Ultra Excel 603

8' SHEARWALL

NOTE: DASHED LINES INDICATE HOT WATER
SOLID LINES INDICATE COLD WATER

— = 3/4"
— = 1/2"



LEGEND	
A	SHORT TURN T-Y
B	LONG TURN T-Y
C	1/4 BEND
D	LONG SWEEP 1/4 BEND
E	45° ELL
F	DBL. SANITARY TEE
G	4x3 CLOSET ELL
H	DOUBLE ELL
I	22 1/2° ELL
J	45° Y
K	LONG TURN STREET ELBOW
L	45° FTC ELL

DWV LINE SIZE CHART	
—	= 3"
—	= 2"
—	= 1 1/2"

APPROVED **RWC** **APPROVED**
 13 JAN 2022
 FP-28-5505
 Federal Manufactured
 Home Construction
 And Safety Standards

1580 SQ.FT. (STD PLAN "CONDITIONED")
 N/A SQ.FT. (W/OPT. PORCH/RECESS "CONDITIONED")

CMH MANUFACTURING Product Designer: E HARDWICK	Model #: UXL28G03A Date: 12/28/21 Scale: N/A	Drawing #: 29M180
	28 X 60 Ultra Excel 603	
D.W.V. and Supply Lines		