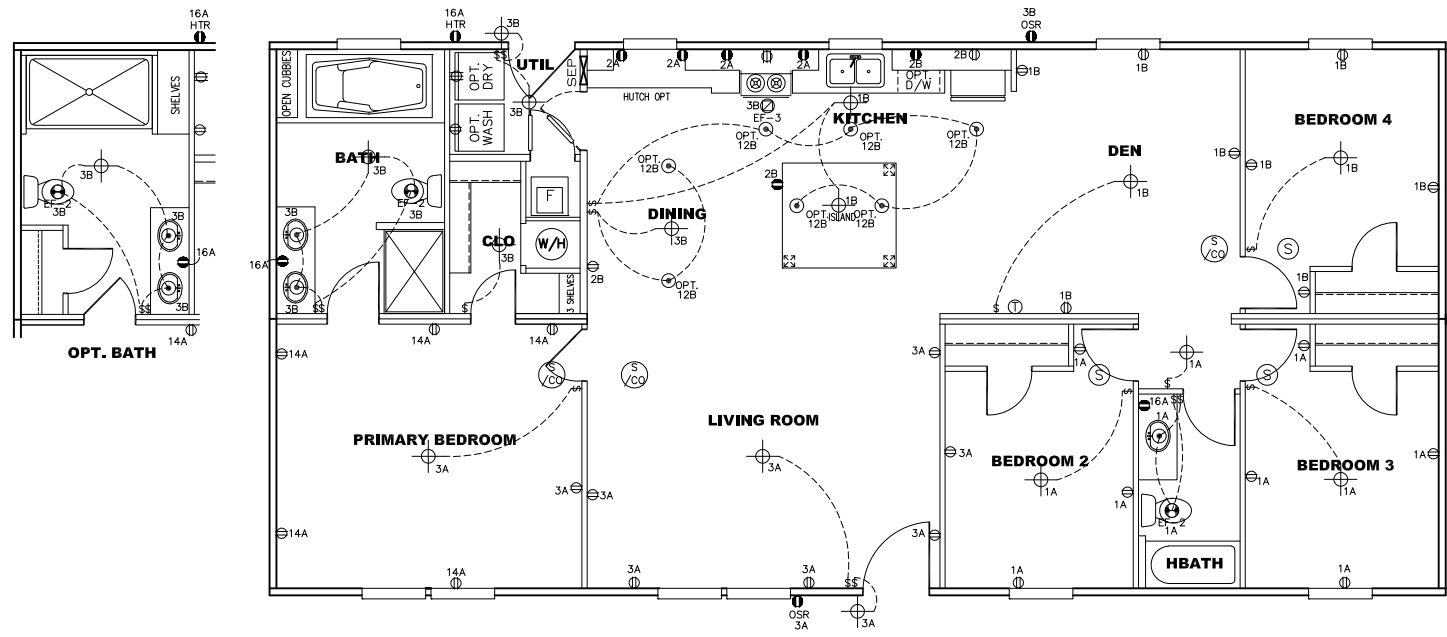


CIRCUIT	CIRCUIT #	WIRE	BREAKER	CIRCUIT	CIRCUIT #	WIRE	BREAKER	CIRCUIT	CIRCUIT #	WIRE	BREAKER
LIGHT/RECEP	1A,1B,3A,3B,14A,12B	14-2	15-SP	WATER HEATER	4A,6B	SEE NOTE #8		BATHROOM	16 A	12-2	20-SP
KITCHEN	2 A, 2B	12-2	20-SP	RANGE	5B,7A	SEE NOTE #8		OPT G/DISP	9B	SEE NOTE #8	
WASHER	12A	12-2	20-SP	FURNACE	6A,8A,B,10A,B	SEE NOTE #8		OPT SPA/HP/JAC	11A,B	SEE NOTE #8	
DRYER	5A,7B	SEE NOTE #8		OPT D/WASH	9A	SEE NOTE #8		FREEZER	N/A	SEE NOTE #8	
				SMOKE ALARM	4B	SEE NOTE #8					

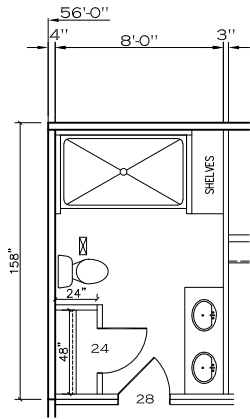


- NOTES:
- ALL CIRCUITS SHOWN ARE FOR REFERENCE AND MAY BE CHANGED BASED ON OPTIONAL COMPONENTS INSTALLED IN THE HOME.
 - REFER TO DAPIA MANUAL FOR SYMBOL CHART.
 - EITHER LIGHT OR RECEPTACLE MUST CONNECT TO SWITCH.
 - EF-1= 50 CFM EXHAUST FAN REQUIRED FOR THERMAL ZONE III THERMAL ZONES I & II MAY USE FAN OR WINDOW W/1.5 SQ. FT. OPENABLE GLASS.
 - EF-2= 50 CFM EXHAUST FAN REQUIRED THERMAL ZONE I, II, AND III.
 - EF-3= 100 CFM RANGE EXHAUST FAN, SWITCH AT HOOD.
 - EF-4= WHOLE HOUSE VENTILATION REQUIREMENTS PER DAPIA MANUAL.
 - REFER TO DAPIA MANUAL OR THE MFG. INSTALLATION INSTRUCTIONS FOR PROPER WIRE SIZE AND BREAKER SIZE FOR SPECIFIC APPLIANCE AND MODEL BEING INSTALLED.
 - ALL SMOKE ALARMS TO BE LOCATED ON THE CEILING.
 - CARBON MONOXIDE ALARMS ARE ONLY REQUIRED WHEN HOME HAS EITHER FUEL BURNING APPLIANCES, IS GARAGE READY OR IS BASEMENT READY. REFERENCE DAPIA MANUAL FOR ADDITIONAL INFORMATION.
 - DIMENSIONS SHOWN ON PRINT ARE APPROXIMATE AND TO BE USED ONLY AS A GUIDELINE.

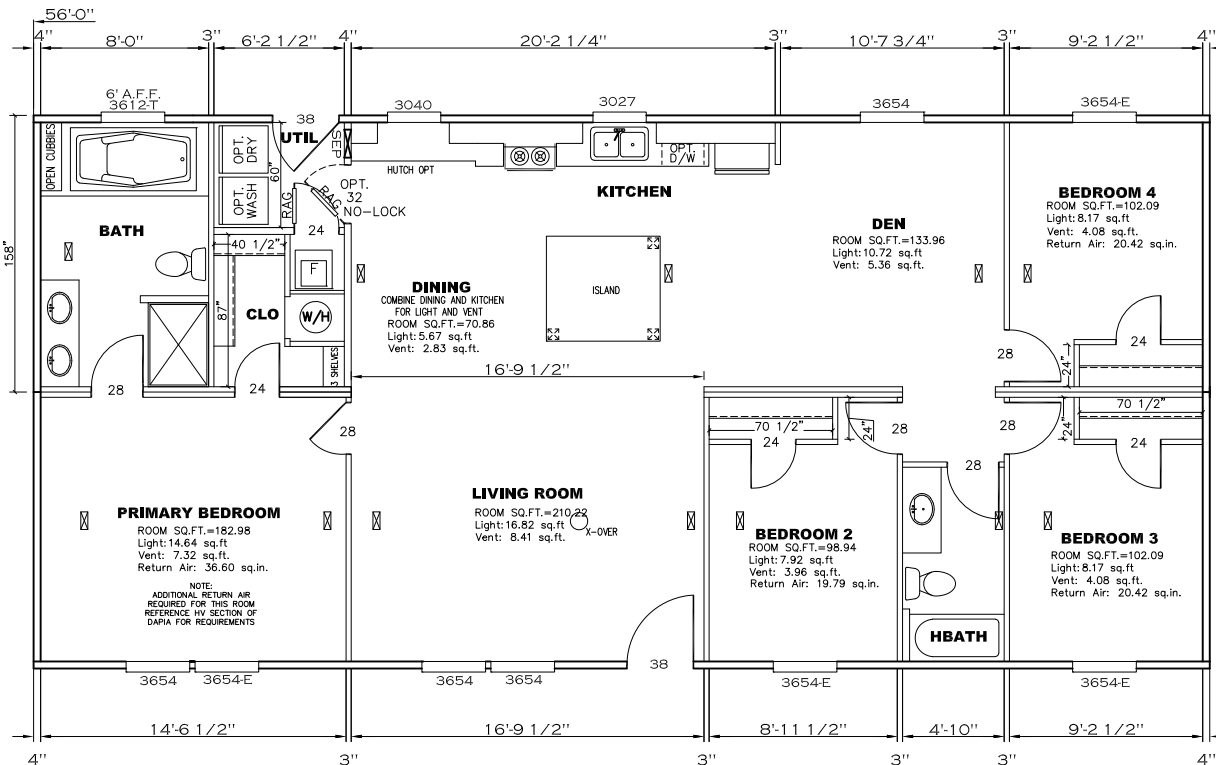
APPROVED **HWC** **APPROVED**
 06 DEC 2021
 FP-28-5497
 Federal Manufactured
 Home Construction
 And Safety Standards

1474 SQ.FT. (STD PLAN "CONDITIONED")
 N/A SQ.FT. (W/OPT. PORCH/RECESS "CONDITIONED")

CMH MANUFACTURING	Model #: UXL28564A	Drawing #:
	Date: 1/2/21	Scale: NTS 29M179
Product Designer: E HARDWICK		28' x 56' Ultra Excel 564
ELECTRICAL PLAN-06		



OPT. BATH



NOTE: BEDROOM 3 IS WITHIN 35' OF LIVING ROOM DOOR

APPROVED **HWC** **APPROVED**
06 DEC 2021
FP-28-5497
Federal Manufactured
Home Construction
And Safety Standards

1474 SQ.FT. (STD PLAN "CONDITIONED")
N/A SQ.FT. (W/OPT. PORCH/RECESS "CONDITIONED")

CMH MANUFACTURING	Model #: UXL28564A	Drawing #:
	Date: 1/2/21	Scale: NTS 29M179
Product Designer: E HARDWICK		28' x 56' Ultra Excel 564
FLOOR PLAN		



Model # 29M179-8FT

Box Width = 158 " Double wide No Offset Box
 Box Length = 56 ft. 95.5" 10" MIN.IBEAM No Clerestory
 No Skylights No Origami Dormer
 No Porches No Sunken Floor
 Joist Size = #2 sp 2x6 Lags 9Mx3" No Parapet Roof

Minimum Joist Spacing 16 "

Version R13.3

Wind Zone 1 Standard Roof							
Diaphragm Construction:						(3/8" sheathing only with 15 gax 1.5" at 5"/10" oc. (197 plf) Chords: #3 2x4 plate w/ 2x4 rail spliced w/ 12" glue block.	96 inch sidewall
Shearwall	Dist./ Hitch	Length	PLF	# of Joists	Lags	Notes	
A	0'	128"	162	2	2/1		
D	56'	128"	162	2	2/1		

Wind Zone 2 Standard Roof							
Diaphragm Construction:						(3/8" sheathing only with 15 gax 1.5" at 5"/10" oc. (197 plf) Chords: #3 2x4 plate w/ 2x4 rail spliced w/ 12" glue block.	96 inch sidewall
Shearwall	Dist./ Hitch	Length	PLF	# of Joists	Lags	Notes	
A	0'	Full	425	2	5/5		
D	56'	Full	425	2	5/5		

Wind Zone 3 Standard Roof							
Diaphragm Construction:						(3/8" sheathing only with 15 gax 1.5" at 5"/10" oc. (197 plf) Chords: #3 2x4 plate w/ 2x4 rail spliced w/ 12" glue block.	96 inch sidewall
Shearwall	Dist./ Hitch	Length	PLF	# of Joists	Lags	Notes	
A	0'	Full	425	2	5/5		
B	23.96'	Full	425	2	3/3	0.66	
D	56'	Full	425	2	5/5		

Model # 29m179-8ft-EXP D

Box Width = 158 " Double wide No Offset Box
 Box Length = 56 ft. 95.5" 12" MIN.IBEAM No Clerestory
 No Skylights No Origami Dormer
 No Porches No Sunken Floor
 Joist Size = #2 sp 2x6 Lags 9Mx3" No Parapet Roof

Minimum Joist Spacing 16 "

Version R13.8

WZ 3 Standard Roof Exp D							
Diaphragm Construction:						(3/8" & ceiling with 15 gax 1.5" at 5"/10" oc. (267 plf) Chords: #3 2x4 plate w/ 2x4 rail spliced w/ 12" glue block.	96 inch sidewall
Shearwall	Dist./ Hitch	Length	PLF	# of Joists	Lags	Notes	
A	0'	Full	425	2	5/5		
B	23.96'	Full	425	2	3/3		
C	41'	116"	425	3	4/1		
D	56'	140"	162	2	2/1		

APPROVED

APPROVED

06 DEC 2021
 FP-28-5497
 Federal Manufactured Home Construction And Safety Standards

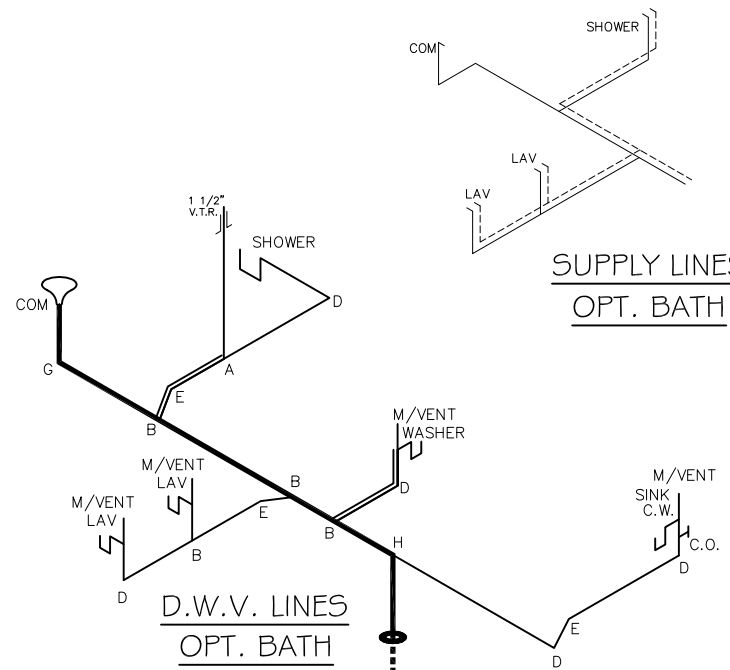
1474 SQ.FT. (STD PLAN "CONDITIONED")
 N/A SQ.FT. (W/OPT. PORCH/RECESS "CONDITIONED")

CMH MANUFACTURING Product Designer: E HARDWICK	Model #: UXL28564A Date: 12/2/21 Scale: NTS	Drawing #: 29M179
	28' x 56' Ultra Excel 564	
8' SHEARWALL		

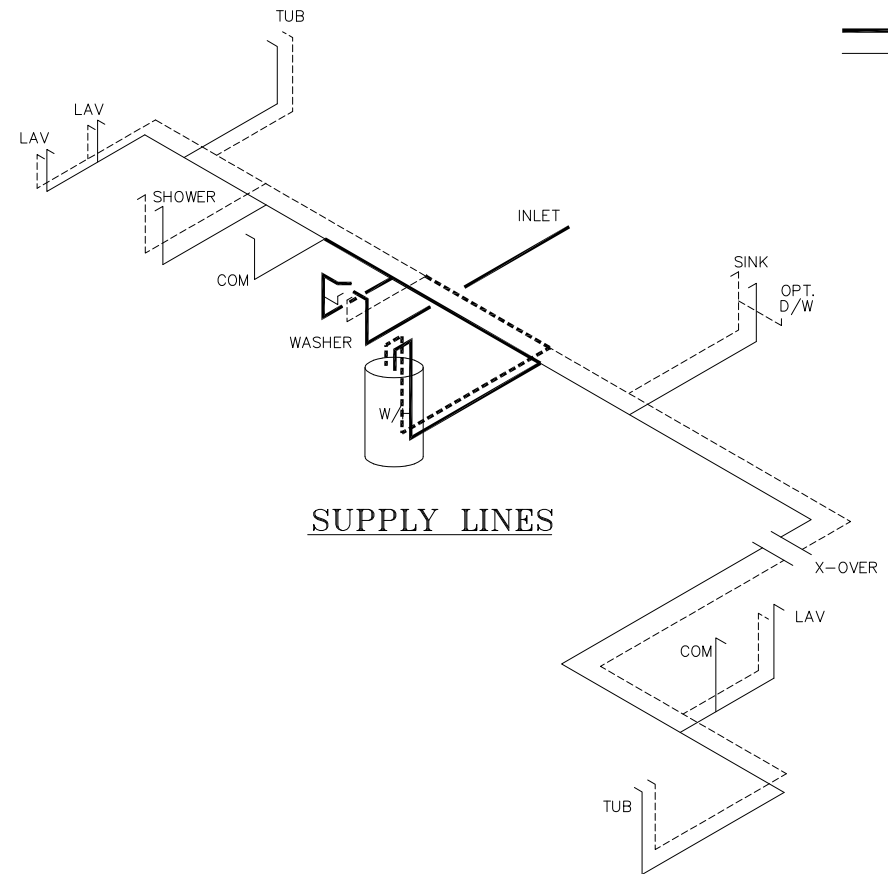
NOTE: DASHED LINES INDICATE HOT WATER
SOLID LINES INDICATE COLD WATER

— = 3/4"
— = 1/2"

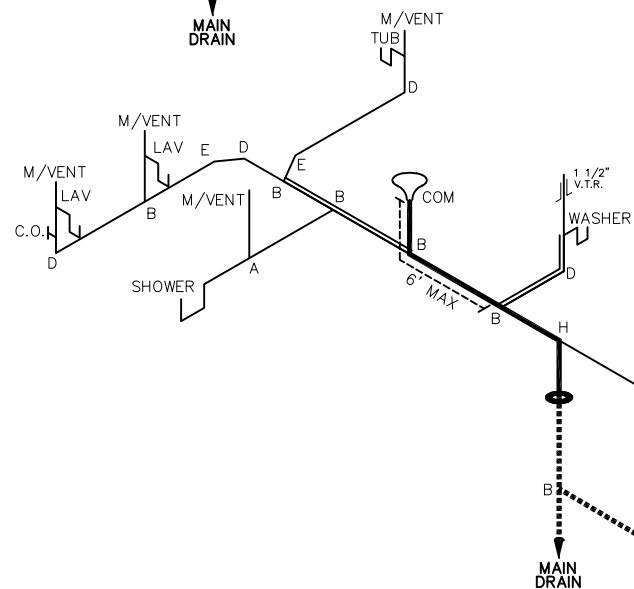
SUPPLY LINES
OPT. BATH



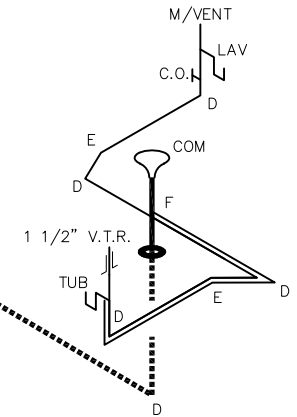
SUPPLY LINES



D.W.V. LINES
OPT. BATH



D.W.V.



DWV LINE SIZE CHART

—	= 3"
—	= 2"
—	= 1 1/2"

LEGEND

A	SHORT TURN T-Y
B	LONG TURN T-Y
C	1/4 BEND
D	LONG SWEEP 1/4 BEND
E	45 ELL
F	DBL. SANITARY TEE
G	4x3 CLOSET ELL
H	DOUBLE ELL
I	22 1/2° ELL
J	45° Y
K	LONG TURN STREET ELBOW
L	45 FTG ELL

APPROVED **HWC** **APPROVED**

06 DEC 2021
FP-28-5497
Federal Manufactured
Home Construction
And Safety Standards

1474 SQ.FT. (STD PLAN "CONDITIONED")
N/A SQ.FT. (W/OPT. PORCH/RECESS "CONDITIONED")

CMH MANUFACTURING	Model #: UXL28564A	Drawing #:
	Date: 12/2/21	Scale: NTS 29M179
Product Designer: E HARDWICK		28' x 56' Ultra Excel 564
D.W.V. and Supply Lines		