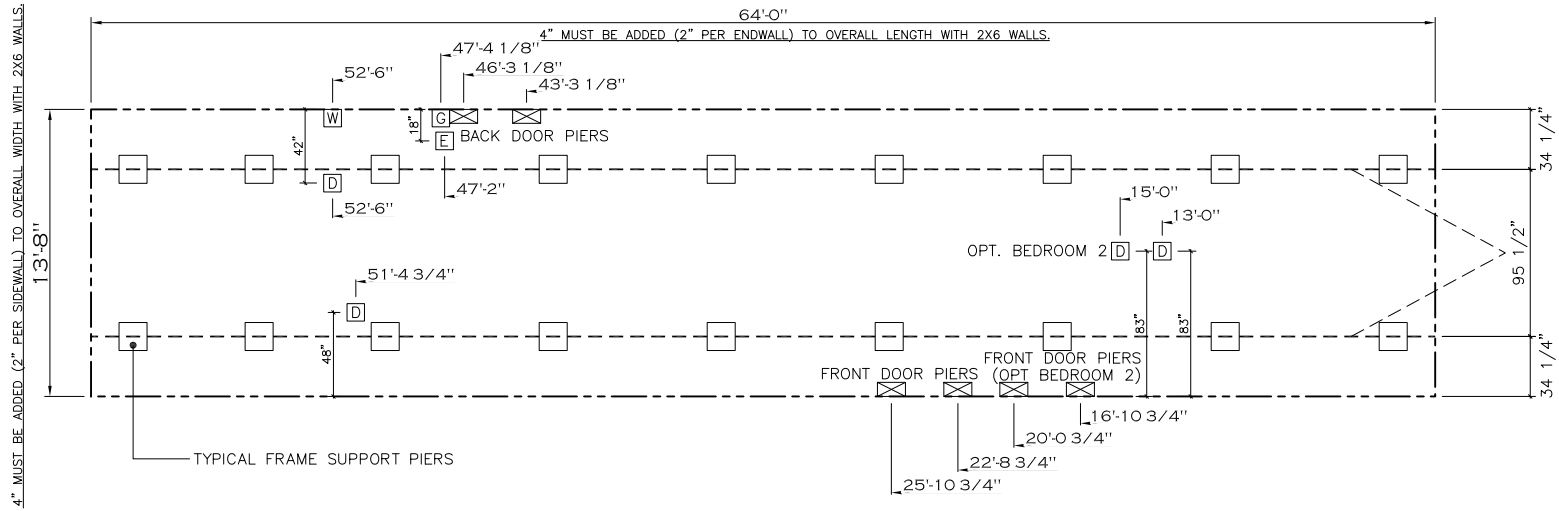


20 lb ROOF LOAD SIDEWALL OPENING PIER LOAD 14' BOX WIDTH	SIDEWALL OPENING (FT) REQUIRED PIER LOAD (LBS)					
	3	4	5	6	8	10
	1175	1330	1485	1640	1950	2260

\*FOR 30 lb & 40 lb ROOF LOAD REFER TO TABLES 7 & 7a IN THE INSTALLATION MANUAL.



**NOTES:**

- REFER TO TABLES 6 AND 6a IN THE INSTALLATION MANUAL FOR LOAD ON FRAME PIER FOOTINGS FOR HOMES THAT DO NOT REQUIRE PERIMETER BLOCKING. REFER TO TABLES 7 AND 7a IN THE INSTALLATION MANUAL FOR LOAD ON FRAME PIER FOOTINGS FOR HOMES THAT REQUIRE PERIMETER BLOCKING. REFER TO TABLES 10 AND 10a TO DETERMINE FOOTING SIZE FOR ALL PIERS.
- REFER TO TABLE 9 FOR PIER CONFIGURATION AND MAXIMUM ALLOWABLE HEIGHTS. CROSS REFERENCE THE PIER HEIGHT WITH THE MAXIMUM ALLOWABLE FLOOR HEIGHT LISTED IN THE FRAME TIEDOWN CHARTS (TABLE 18, 19, AND 20).
- THE MAXIMUM SPACING FOR FRAME SUPPORT PIERS FOR 8" I-BEAMS IS 8 FEET, 10" & 12" I-BEAMS IS 10 FEET.
- SERVICE DROP LOCATIONS IDENTIFIED ARE APPROXIMATE.
- FLOOR WIDTH SHOWN IS FOR STANDARD PRODUCT ONLY. CONTACT THE MFG FACILITY FOR SPECIFICATIONS OF OPTIONS ORDERED.

SERVICE DROP LEGEND	
[E]	= ELECTRICAL DROP
[W]	= WATER INLET
[D]	= DWV PLUMBING DROP
[G]	= GAS INLET

PIER LEGEND	
[□]	= PIER MAIN BEAM
[⊞]	= PIER PERIMETER
[■]	= PIER PORCH/RECESSED ENTRY

<b>CMH</b> MANUFACTURING		Model #: SPC14643A	Drawing #:
		Date: 7/8/16	Scale: NTS 295095
Product Designer: E. HARDWICK		14' x 64' BUILDER SPECIAL	
<b>FRAME PIERS</b>		874 SQ.FT. (STD PLAN "CONDITIONED") N/A SQ.FT. (W/OPT. PORCH/RECESS "CONDITIONED")	
		REVISION ECR-866518 8/15/16 BH	