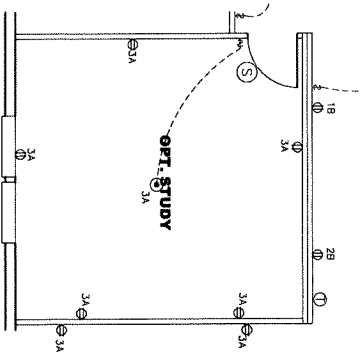
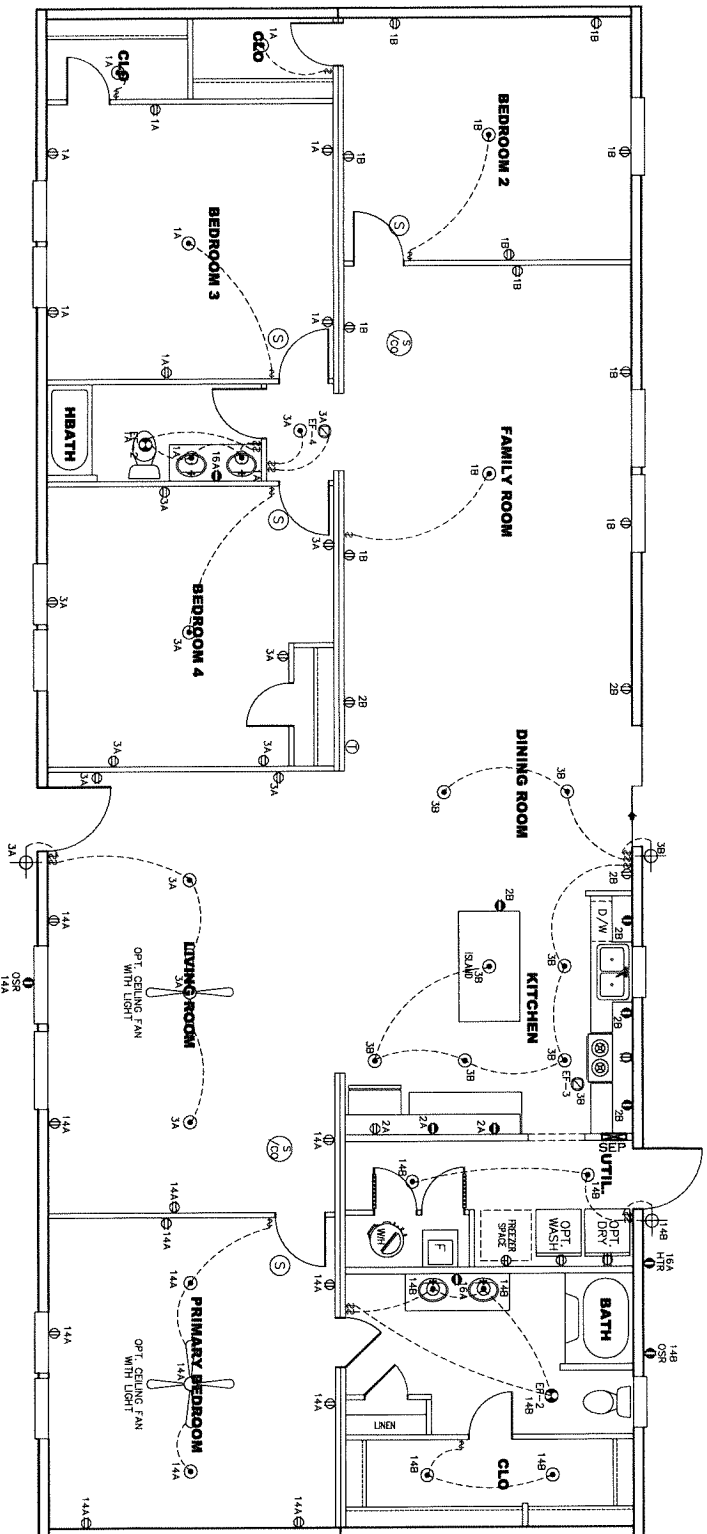


CIRCUIT	CIRCUIT #	WIRE	BREAKER	CIRCUIT	CIRCUIT #	WIRE	BREAKER	CIRCUIT	CIRCUIT #	WIRE	BREAKER
LIGHT/RECP	1A,B,3A,B,14A,B	14-2	15-SP	WATER HEATER	4A,6B	SEE NOTE #8		BATHROOM	16A	12-2	20-SP
KITCHEN	2A,2B	12-2	20-SP	RANGE	5B,7A	SEE NOTE #8		OPT C/D/SP	9B	SEE NOTE #8	
WASHER	12A	12-2	20-SP	FURNACE	6A,6A,B,10A,B	SEE NOTE #8		OPT W/D/C	11A,B	SEE NOTE #8	
DRYER	5A,7B	SEE NOTE #8		OPT D/WASH	9A	SEE NOTE #8		FREEZER	13A	SEE NOTE #8	
				SMOKE DETCT	4B	SEE NOTE #8					



NOTES:

1. ALL CIRCUITS SHOWN ARE FOR REFERENCE AND MAY BE CHANGED BASED ON OPTIONAL COMPONENTS INSTALLED IN THE HOME.
2. REFER TO DAPIA MANUAL FOR SYMBOL CHART.
3. EITHER LIGHT OR RECEPTACLE MUST CONNECT TO SWITCH.
4. EF-1= 50 CFM EXHAUST FAN REQUIRED FOR THERMAL ZONE III. THERMAL ZONES I & II MAY USE FAN OR WINDOW W/1.5 SQ. FT. OPENABLE GLASS.
5. EF-2= 50 CFM EXHAUST FAN REQUIRED THERMAL ZONE I, II, AND III.
6. EF-3= 100 CFM RANGE EXHAUST FAN, SWITCH AT HOOD.
7. EF-4= WHOLE HOUSE VENTILATION REQUIREMENTS PER DAPIA MANUAL.
8. REFER TO DAPIA MANUAL OR THE JFCG INSTALLATION INSTRUCTIONS FOR PROPER WIRE SIZE AND BREAKER SIZE FOR SPECIFIC APPLIANCE AND MODEL BEING INSTALLED.
9. ALL SMOKE ALARMS TO BE LOCATED ON THE CEILING.
10. CARBON MONOXIDE ALARMS ARE ONLY REQUIRED WHEN HOME IS BUILT WITH FUEL BURNING APPLIANCES. SEE CARBON MONOXIDE READY OR ADDITIONAL INFORMATION.
11. DIMENSIONS SHOWN ON PRINT ARE APPROXIMATE AND TO BE USED ONLY AS A GUIDELINE.

APPROVED
REVISED
 05 JUN 2023
 FP-32-3156
 Federal Manufactured Home Construction And Safety Standards

2280 SQ.FT. (STD PLAN "CONDITIONED")

N/A SQ.FT. (W/OPT. PORCH/RECESS "CONDITIONED")

Product Designer: E HARDWICK

CMH MANUFACTURING

Model #: LEG327G4A

Date: 1/25/23

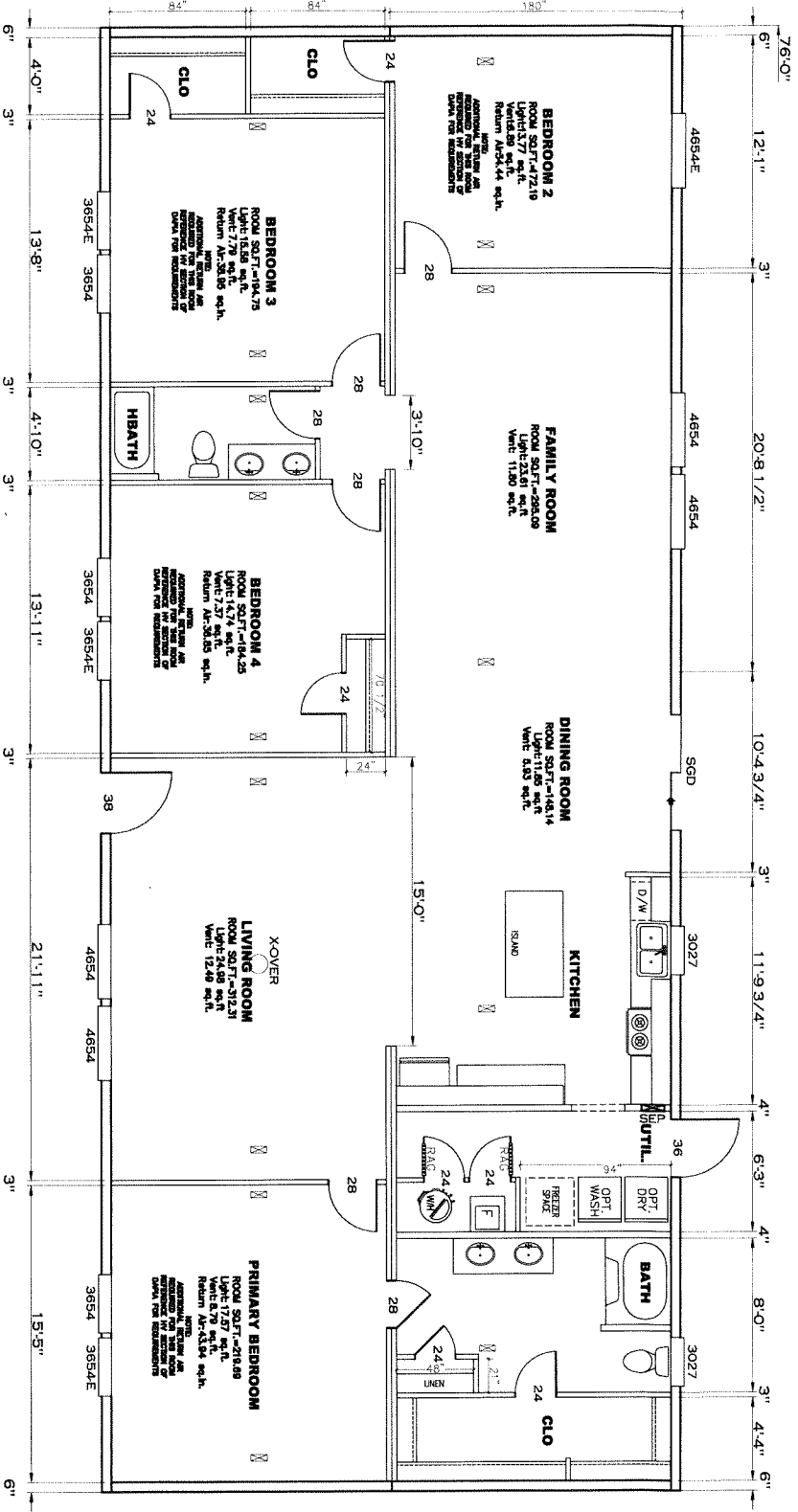
Scale: N/A

32 X 76 LEGEND

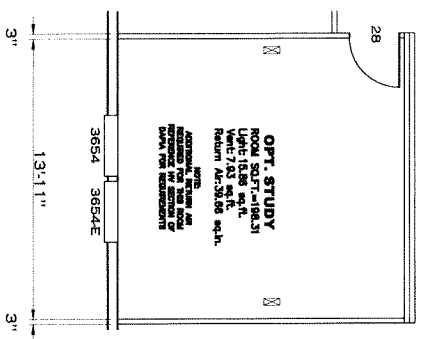
Drawing #: 29M203

ELECTRICAL PLAN-06

REVISION 5/8/23 BH RCR-3684



NOTE: ALL BEDROOMS ARE WITHIN 35' OF NEAREST EXIT DOOR



APPROVED
REVISED
05 JUN 2023
FP-32-3156
3
APPROVED

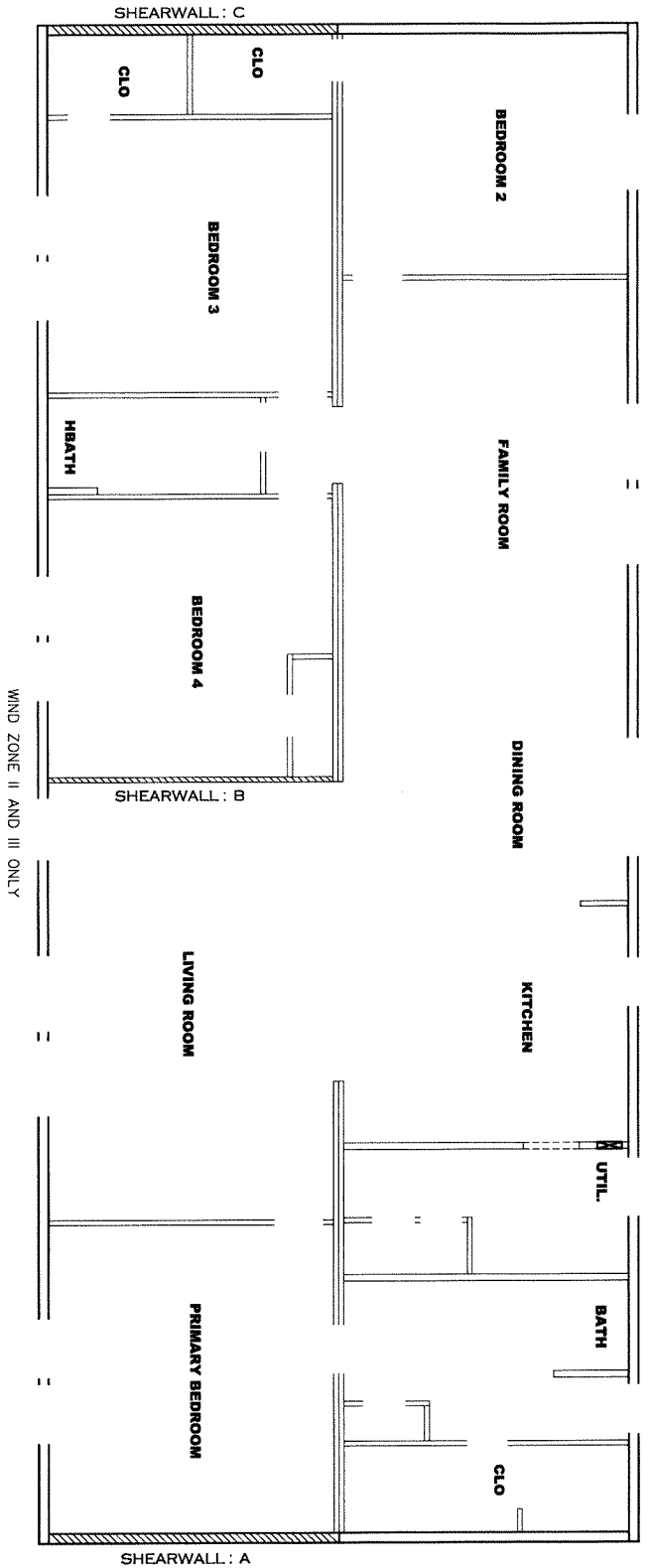
Federal Manufactured
Home Construction
And Safety Standards

2280 SQ.FT. (STD PLAN "CONDITIONED")
N/A SQ.FT. (W/OPT. PORCH/RECESS "CONDITIONED")

Product Designer: E HARDWICK	Model #: LEG32764A	Drawing #:
MANUFACTURING	Date: 1/25/23	Scale: N/A
	32 X 76 LEGEND	29M203

FLOOR PLAN

REVISION ECR-3634
5/8/23 HH



Model # 29M203-8FT
 Box Width = 180" Minimum Joist Spacing 16"
 Box Length = 76 ft. 95.5" 12" MIN. I-BEAM No Clerestory
 No Skylights No Original Dormer
 No Porches No Sunken Floor
 Joist Size = #2 sp 2x6 Lags 9Mx3" No Parapet Roof

Version R13.4

Wind Zone 1 Standard Roof (3/8" sheathing only with 15 gax 1.5" at 5'7/10"
 oc. (197 pif) Chords: #3 2x4 plate w/ 2x4 rail 96 inch sidewall
 Diaphragm Construction: spliced w/ 12" glue block.

Shearwall	Dist./Ht/cf	Length	PLF	# of Joists	Lags	Notes
A	0'	Full	162	2	2/2	
C	76'	Full	162	2	2/2	

Wind Zone 2 Standard Roof (3/8" sheathing only with 15 gax 1.5" at 5'7/10"
 oc. (197 pif) Chords: #3 2x4 plate w/ 2x4 rail 96 inch sidewall
 Diaphragm Construction: spliced w/ 12" glue block.

Shearwall	Dist./Ht/cf	Length	PLF	# of Joists	Lags	Notes
A	0'	Full	425	2	5/5	
B	38.21'	Full	425	2	3/3	
C	76'	Full	425	2	5/5	

Wind Zone 3 Standard Roof (3/8" sheathing only with 15 gax 1.5" at 5'7/10"
 oc. (197 pif) Chords: #3 2x4 plate w/ 2x4 rail 96 inch sidewall
 Diaphragm Construction: spliced w/ 12" glue block.

Shearwall	Dist./Ht/cf	Length	PLF	# of Joists	Lags	Notes
A	0'	Full	425	2	5/5	
B	38.21'	Full	515	2	5/5	
C	76'	Full	425	2	5/5	

APPROVED
 REVISED
 05 JUN 2023
 FP-32-3156
 Federal Manufactured Home Construction And Safety Standards

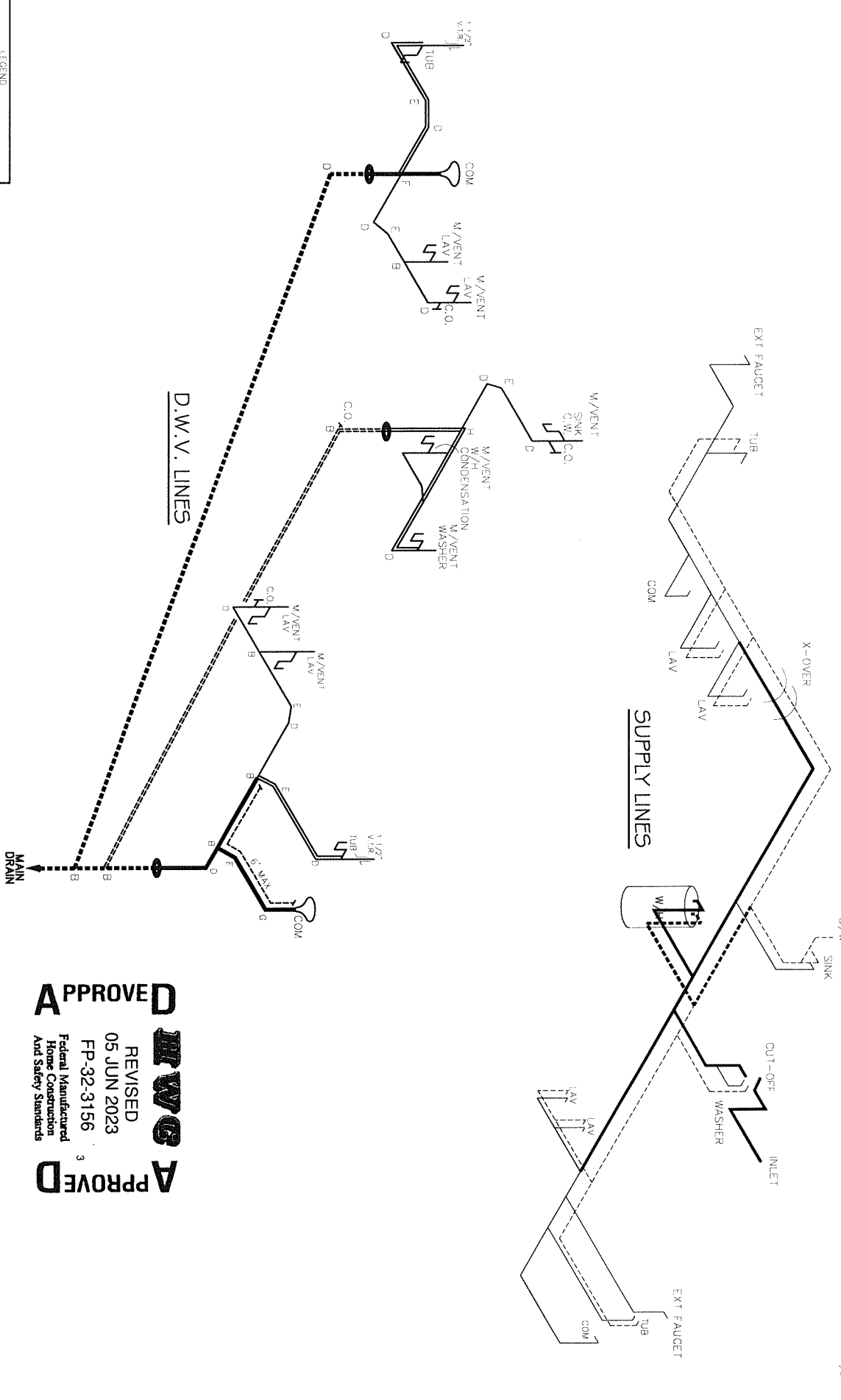
CMH

2280 SQ.FT. (STD PLAN "CONDITIONED")
 N/A SQ.FT. (W/OPT PORCH/RECESS "CONDITIONED")

Product Designer: E HARDWICK	Model #: LEG327G4A	Drawing #:
MANUFACTURING	Date: 1/25/23	Scale: N/A
32 X 76 LEGEND		
8' SHEARWALL		

NOTE:
 DASHED LINES INDICATE HOT WATER
 SOLID LINES INDICATE COLD WATER

— = 3/4"
 — = 1/2"



LEGEND

A	SHORT TURN 1"-Y
B	LONG TURN 1"-Y
C	1/4 BEND
D	45° EL. SHEET 1/4 BEND
E	DR. SANITARY TEE
F	4"x3" OFFSET ELL.
G	DOUBLE ELL.
H	22 1/2° ELL.
I	45° V
J	LONG TURN STREET ELBOW
K	45° FIG. ELL.

DWV LINE SIZE CHART

—	= 3"
—	= 2"
—	= 1 1/2"

D.W.V. LINES

SUPPLY LINES

APPROVED
 REVISED
 05 JUN 2023
 FP-32-3156
 Federal Manufactured
 Home Construction
 And Safety Standards

CMH
 MANUFACTURING

APPROVED

2280 SQ.FT. (STD PLAN "CONDITIONED")
 N/A SQ.FT. (W/OPT. PORCH/RECESS "CONDITIONED")

Product Designer: E HARDWICK	Model #: LEG32764A	Drawing #:
Date: 1/25/23	Scale: N/A	29M203
D.W.V. and Supply Lines		
REVISION RCR-3884 6/8/23 EB		