

Duct Design Input

Model _____ **Mfg.** CMH-MFG 929 **Date** 3/6/2019 **Source** 29m160

Design Type	Flow Direction	Plenum Connection	Plenum Location	Plenum Width X Plenum Length
Double-section	Down Flow	Direct to a Trunk	Floor B	13 X 13 (Sqr. in)

Note: all the unspecified dimensions are in inches.

Crossover	Supply	To	Material	H / D	Width	Length (ft)	Offset Dir.	Offset
1	Floor B	Floor A	Flex	12	N/A	19	Center	0

Floor A	Vertical	Material	Trunk H	Trunk W					
	First Floor	Aluminum	5	14					
	Direction	Distance(ft)	Boot Type	Boot H/D	Boot W	Boot L (ft)	Reg. Type	Register H	Register W
	Left 1	6.25	Reg. Boot	4	10	0.5	Boot Reg.	4	10
	Left 2	1.5	Reg. Boot	4	10	0.5	Boot Reg.	4	10
	Left 3	19.25	Reg. Boot	4	10	0.5	Boot Reg.	4	10
	Right 1	2.75	Reg. Boot	4	10	0.5	Boot Reg.	4	10
	Right 2	16	Reg. Boot	4	10	0.5	Boot Reg.	4	10
	Right 3	9.75	Reg. Boot	4	10	0.5	Boot Reg.	4	10

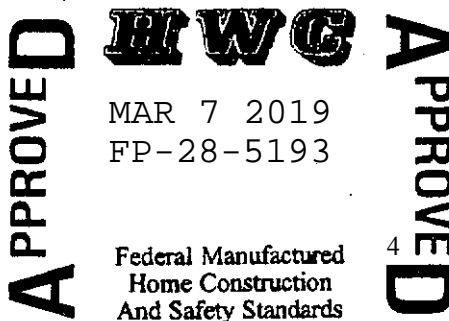
Floor B	Vertical	Material	Trunk H	Trunk W					
	First Floor	Aluminum	5	14					
	Direction	Distance(ft)	Boot Type	Boot H/D	Boot W	Boot L (ft)	Reg. Type	Register H	Register W
	Left 1	4.25	Reg. Boot	4	10	0.5	Boot Reg.	4	10
	Left 2	13.75	Reg. Boot	4	10	0.5	Boot Reg.	4	10
	Right 1	9.5	Reg. Boot	4	10	0.5	Boot Reg.	4	10
	Right 2	13.25	Reg. Boot	4	10	0.5	Boot Reg.	4	10
	Right 3	7.75	Reg. Boot	4	10	0.5	Boot Reg.	4	10
	Right 4	11.5	Reg. Boot	4	10	0.5	Boot Reg.	4	10

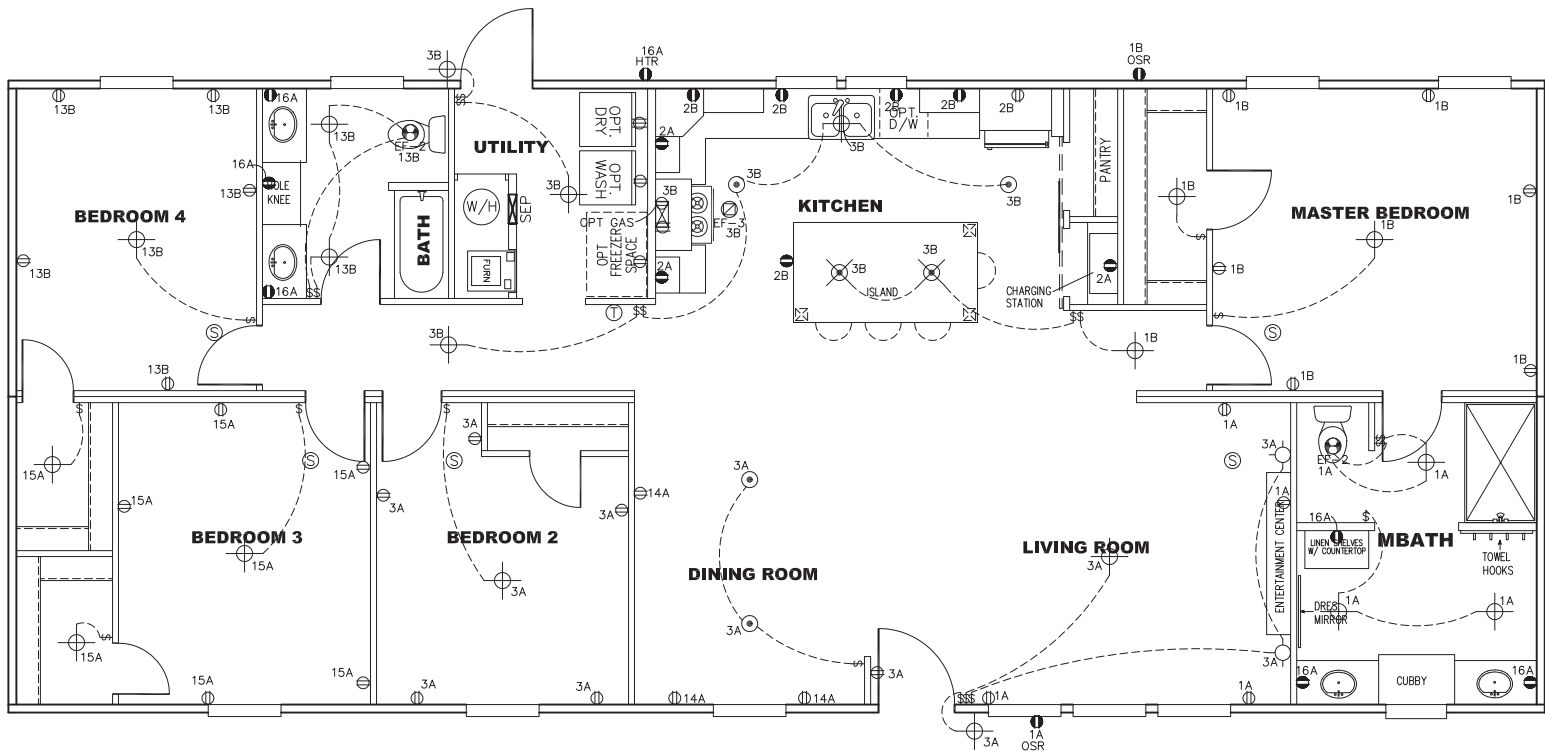
Duct Design Performance

The refrigerated air cooling supply duct system including registers must be capable of handling at least 300 cfm per 10,000 Btuh with a static pressure no greater than 0.3 inches of water when measured at room temperature-HUD Manufactured Home Construction and Safety Standards, Part 3280.715 (a) (3) (ii)

Performance Calculated at a Static Pressure of 0.3 in. wc.

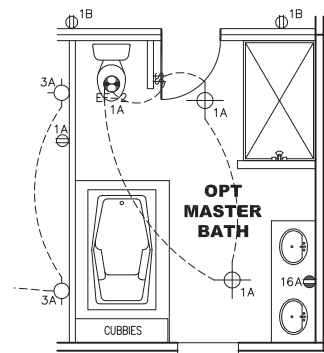
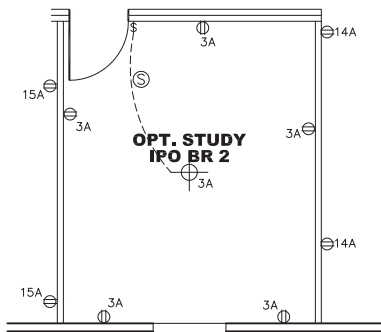
Air Flow Rate (SCFM)	2409	Duct Capacity (Btu/Hr)	80300
----------------------	------	------------------------	-------





NOTES:

1. ALL CIRCUITS SHOWN ARE FOR REFERENCE AND MAY BE CHANGED BASED ON OPTIONAL COMPONENTS INSTALLED IN THE HOME.
2. REFER TO EL SECTION OF THE DAPIA FOR SYMBOL CHART.
3. EITHER LIGHT OR RECEPTACLE MUST CONNECT TO SWITCH.
4. EF-1= 50 CFM EXHAUST FAN REQUIRED FOR THERMAL ZONE III THERMAL ZONES I & II MAY USE FAN OR WINDOW W/1.5 SQ. FT. OPENABLE GLASS.
5. EF-2= 50 CFM EXHAUST FAN REQUIRED THERMAL ZONE I, II, AND III.
6. EF-3= 100 CFM RANGE EXHAUST FAN, SWITCH AT HOOD.
7. EF-4= WHOLE HOUSE VENTILATION PER REQUIREMENTS IN S-HV-10 & 10A OR M-HV-11 & 11A OF DAPIA.
8. REFER TO EL SECTION OF THE DAPIA OR THE MFG. INSTALLATION INSTRUCTIONS FOR PROPER WIRE SIZE AND BREAKER SIZE FOR SPECIFIC APPLIANCE AND MODEL BEING INSTALLED.
9. ALL SMOKE ALARMS TO BE LOCATED ON THE CEILING.
10. DIMENSIONS SHOWN ON PRINT ARE APPROXIMATE AND TO BE USED ONLY AS A GUIDELINE.



APPROVED **HWG** **APPROVED**
 REVISED
 MAY 22 2019
 Federal Manufactured
 Home Construction
 And Safety Standards

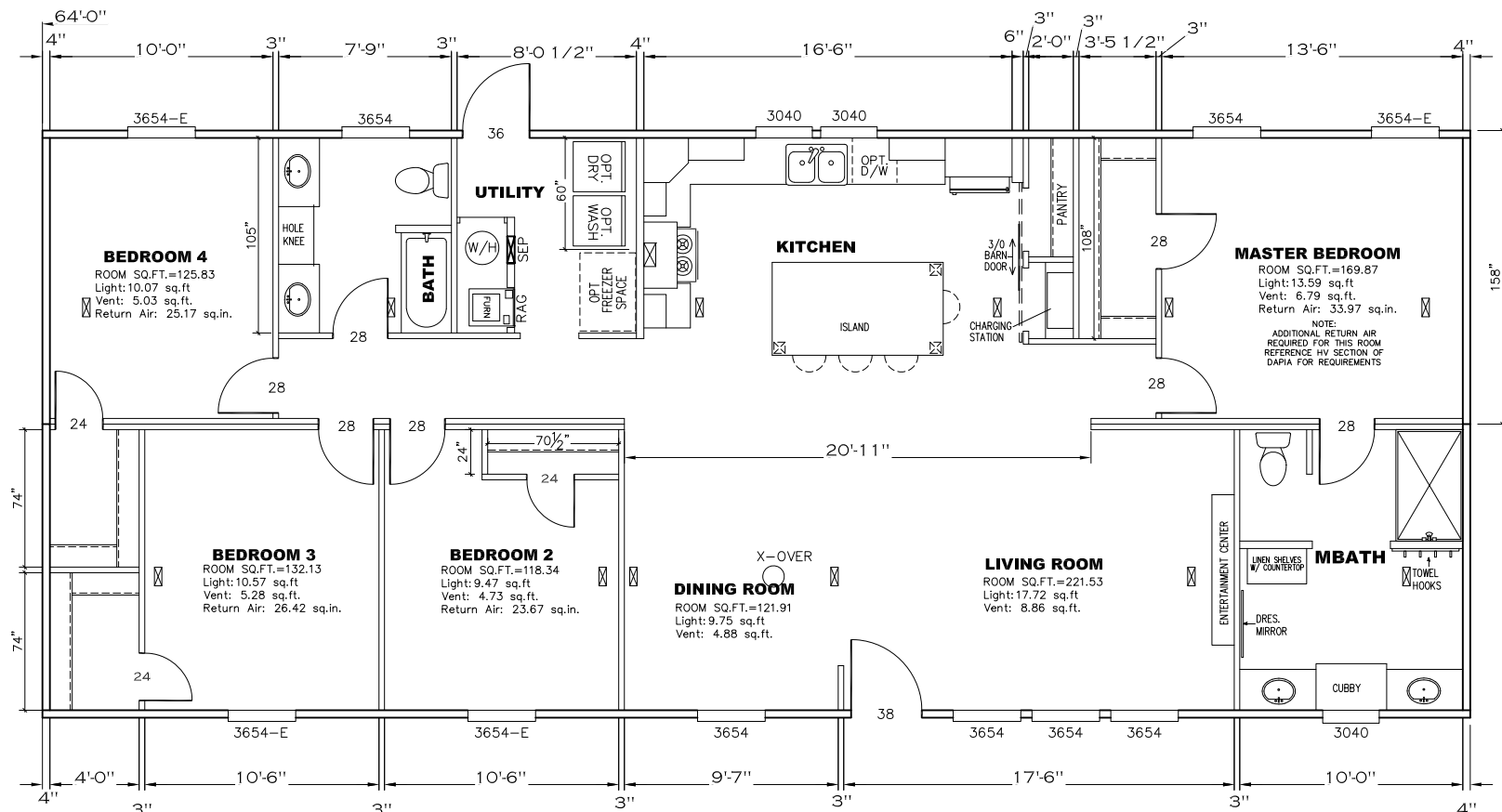
FP-28-5193

CIRCUIT	CIRCUIT #	WIRE	BREAKER	CIRCUIT	CIRCUIT #	WIRE	BREAKER	CIRCUIT	CIRCUIT #	WIRE	BREAKER
LIGHT/RECEP	1A,B,3A,B,13B,14B,15A	14-2	15-SP	WATER HEATER	4A,6B	SEE NOTE #8		BATHROOM	16A	12-2	20-SP
KITCHEN	2A,2B,14A	12-2	20-SP	RANGE	5B,7A	SEE NOTE #8		OPT G/DISP	9B	SEE NOTE #8	
WASHER	12A	12-2	20-SP	FURNACE	6A,8A,B,10A,B	SEE NOTE #8		OPT SPA/WP/JAC	11A,B	SEE NOTE #8	
DRYER	5A,7B	SEE NOTE #8		OPT D/WASH	9A	SEE NOTE #8		FREEZER	13A	SEE NOTE #8	
				SMOKE ALARM	4B	SEE NOTE #8					

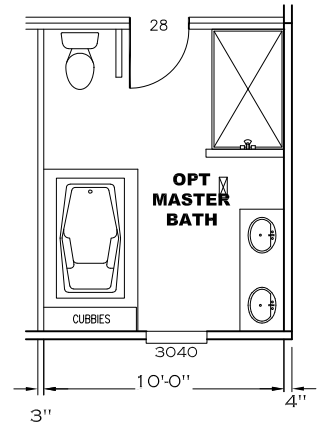
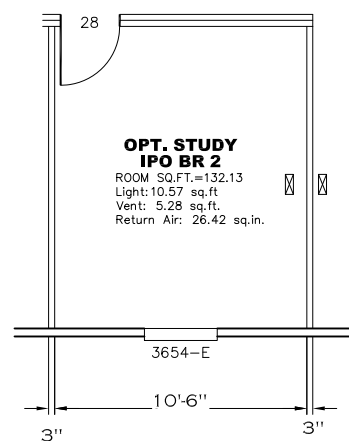
1685 SQ.FT. (STD PLAN "CONDITIONED")
N/A SQ.FT. (W/OPT. PORCH/RECESS "CONDITIONED")

CMH MANUFACTURING	Model #: NOW28644I	Drawing #:
	Date: 3/5/19	Scale: NTS 29M160
Product Designer: E HARDWICK		28' x 64' ISLAND BREEZE

ELECTRICAL PLAN-06



NOTE: ALL BEDROOMS ARE WITHIN 35' FROM AN EXIT DOOR



APPROVED **HWC** **APPROVED**
REVISED
08 MAY 2019
FP-28-5193
Federal Manufactured
Home Construction
And Safety Standards

1685 SQ.FT. (STD PLAN "CONDITIONED")		N/A SQ.FT. (W/OPT. PORCH/RECESS "CONDITIONED")	
CMH MANUFACTURING	Model #: NOW28644I	Date: 3/5/19	Scale: NTS
Product Designer: E HARDWICK	28' x 64' ISLAND BREEZE		
FLOOR PLAN			

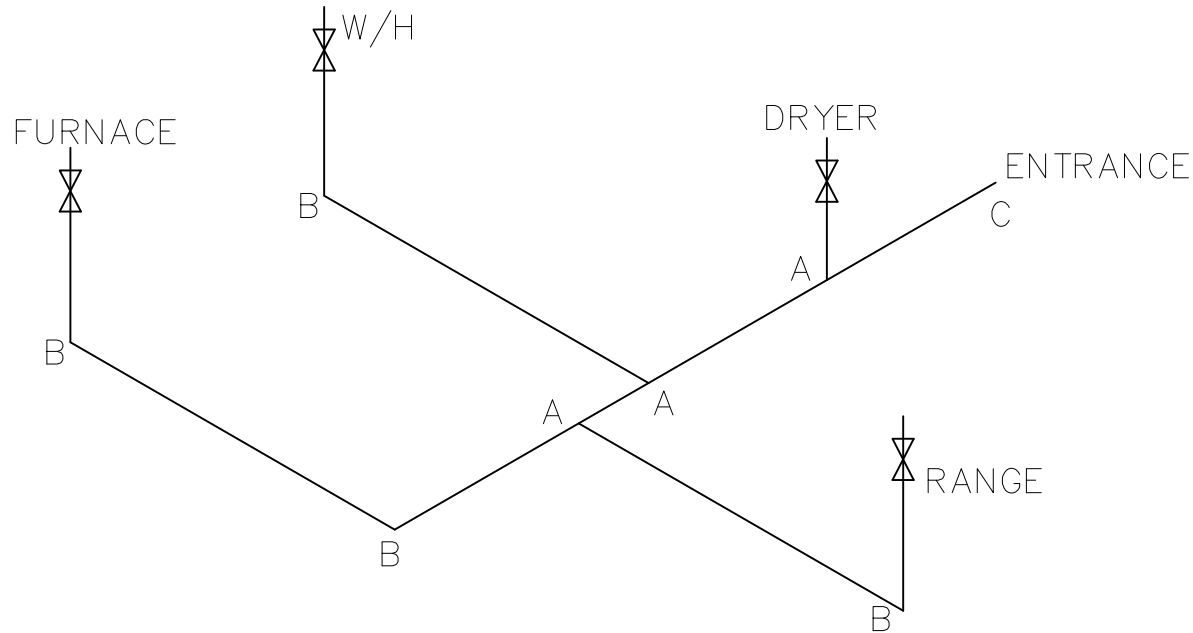
LEGEND		APPLIANCE BTU's RATINGS MAX. INPUT	
SYM	FITTINGS		
A	TEE	FURNACE	70,000 BTU'S
B	90 ELL	W/H	37,000 BTU'S
X	VALVE	RANGE	54,000 BTU'S
C	CAP	DRYER	22,000 BTU'S

APPROVED **HWC** **APPROVED**

MAR 7 2019
FP-28-5193

Federal Manufactured
Home Construction
And Safety Standards

MDL=20'

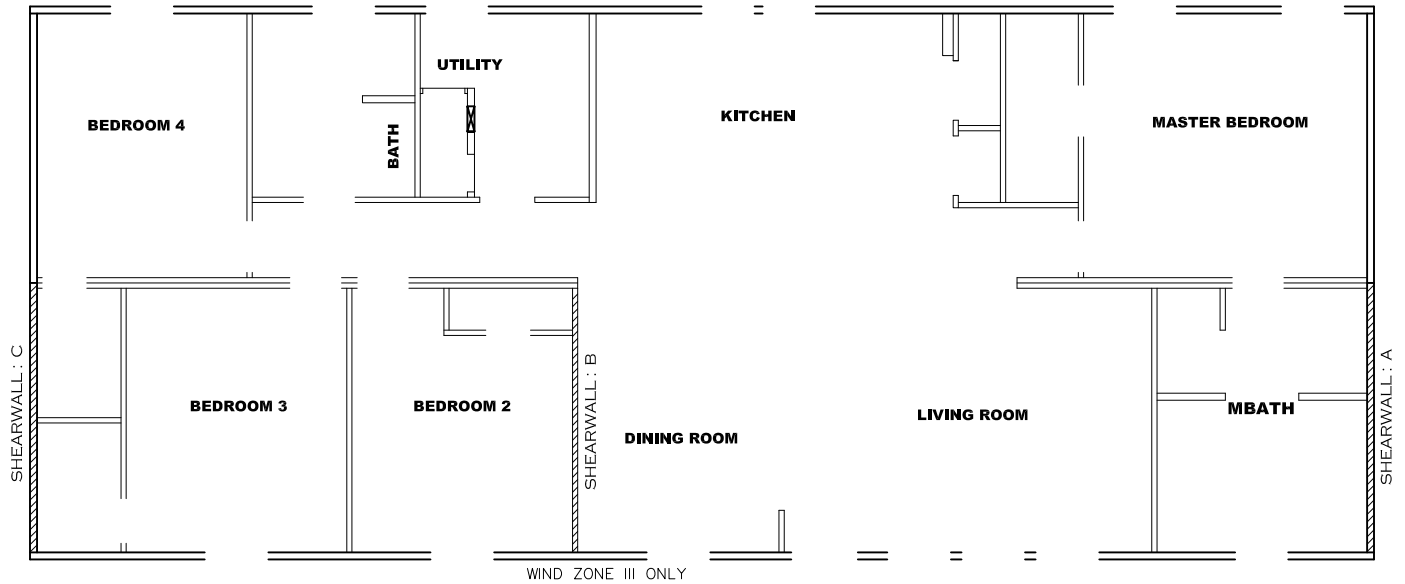


NOTES:

- 1) ALL PIPE IS 3/4" I.D.CAST (EXCEPT WHERE NOTED OTHERWISE)
- 2) MDL=MAX. DETERMINED LENGTH OF PIPE
- 3) FITTING MAY BE ADDED OR SUBTRACTED TO TRAVERSE VARIATIONS IN AXLE QUANTITY, PLACEMENT, AND FRAME TYPE.
- 4) INLET LOCATION MAY VARY TO STAY WITHIN MAX. DETERMINED LENGTH

GAS LINE SIZE CHART	
	= 1"
	= 3/4"

1685 SQ.FT. (STD PLAN "CONDITIONED")	
N/A SQ.FT. (W/OPT. PORCH/RECESS "CONDITIONED")	
CMH MANUFACTURING	Model #: NOW28644I Drawing #: 29M160
Date: 3/5/19 Scale: NTS	Product Designer: E HARDWICK
28' x 64' ISLAND BREEZE	
GAS LINE DETAIL	

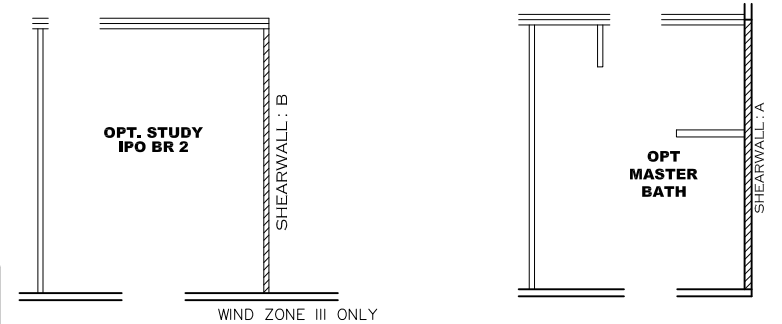


Model # 29M160-8ft

Box Width = 158 " Double wide No Offset Box
 Box Length = 64 ft. 95.5" 12" MIN. IBEAM No Clerestory
 No Skylights No Origami Dormer
 No Porches No Sunken Floor
 Joist Size = #2 sp 2x6 Lags 9Mx3" No Parapet Roof

Minimum Joist Spacing 16 "

Version R13.14



Wind Zone 1 Standard Roof (3/8" sheathing only with 15 gax 1.5" at 5"/10" oc. 96 inch sidewall
 Diaphragm Construction: (197 plf) Chords: 2x4 SPF #3 Top Plate & 2x4 Rail. Each spliced w / 12" glue block.

Shearwall	Dist./ Hitch	Length	PLF	# of Joists	Lags	Notes
A	0 '	144 "	162	2	2/1	
C	64 '	144 "	162	2	2/1	

Wind Zone 2 Standard Roof (3/8" sheathing only with 15 gax 1.5" at 5"/10" oc. 96 inch sidewall
 Diaphragm Construction: (197 plf) Chords: 2x4 SPF #3 Top Plate & 2x4 Rail. Each spliced w / 12" glue block.

Shearwall	Dist./ Hitch	Length	PLF	# of Joists	Lags	Notes
A	0 '	Full	425	2	4/4	
C	64 '	Full	425	2	4/4	

Wind Zone 3 Standard Roof (3/8" sheathing only with 15 gax 1.5" at 5"/10" oc. 96 inch sidewall
 Diaphragm Construction: (197 plf) Chords: 2x4 SPF #3 Top Plate & 2x4 Rail. Each spliced w / 12" glue block.

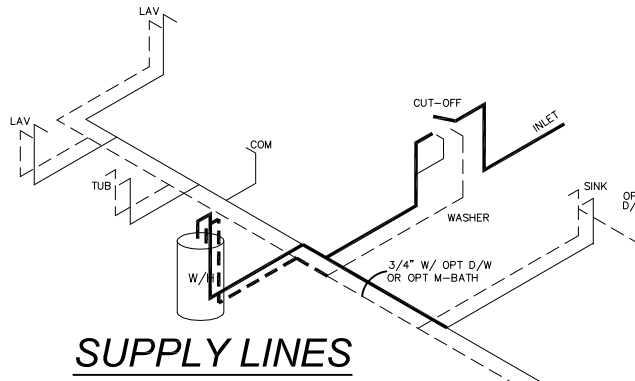
Shearwall	Dist./ Hitch	Length	PLF	# of Joists	Lags	Notes
A	0 '	Full	425	2	3/3	
B	38.04 '	Full	515	2	3/3	
C	64 '	Full	425	2	3/3	

APPROVED **HWG** **REVISED** **APPROVED**
 08 MAY 2019
 FP-28-5193
 Federal Manufactured Home Construction And Safety Standards

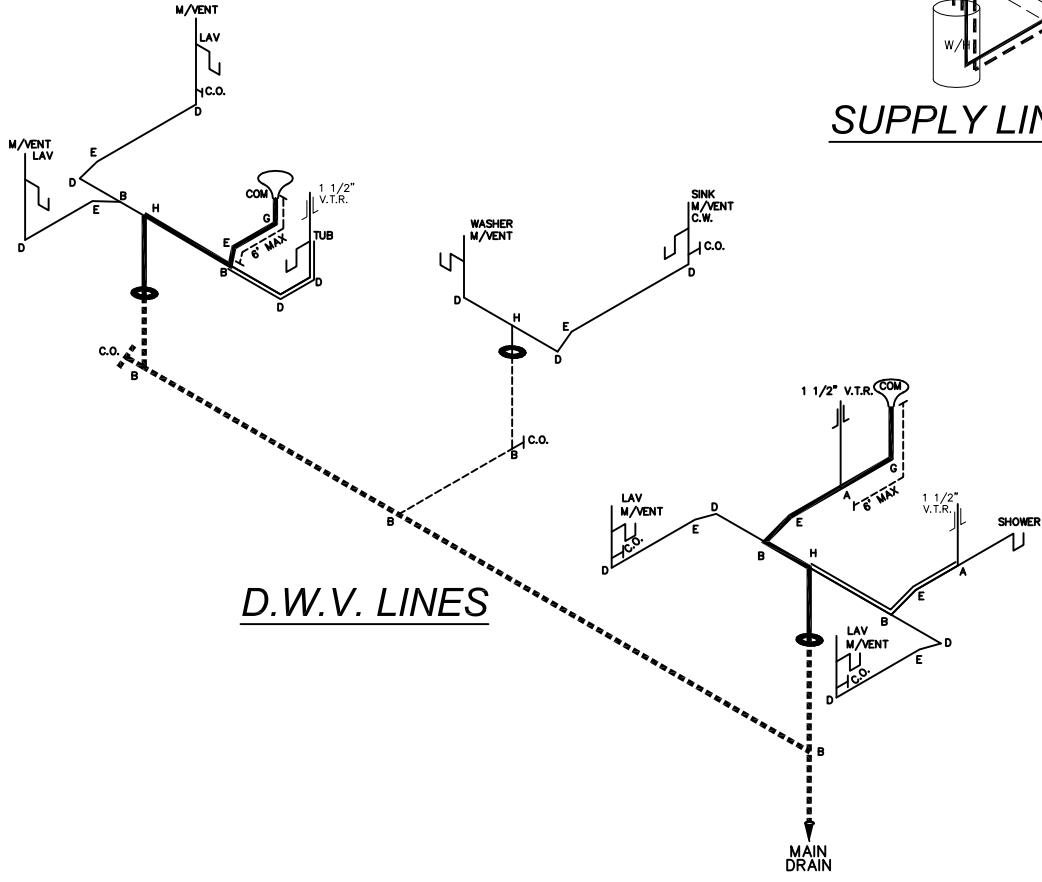
1685 SQ.FT. (STD PLAN "CONDITIONED")
 N/A SQ.FT. (W/OPT. PORCH/RECESS "CONDITIONED")

CMH MANUFACTURING Product Designer: E HARDWICK	Model #: NOW28644I Date: 3/5/19	Drawing #: 29M160 Scale: NTS
	28' x 64' ISLAND BREEZE	

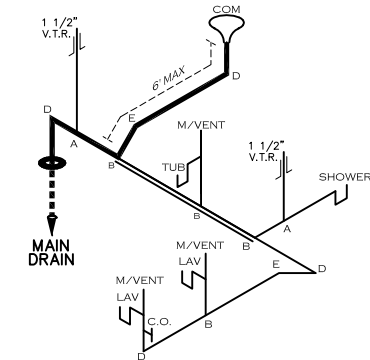
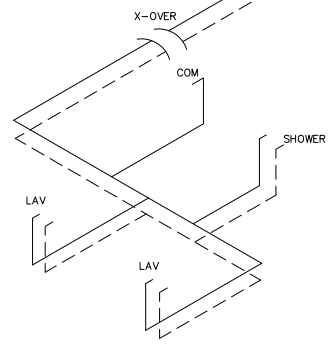
NOTE:
 DASHED LINES INDICATES HOT WATER
 SOLID LINES INDICATES COLD WATER
 — = 3/4"
 — = 1/2"



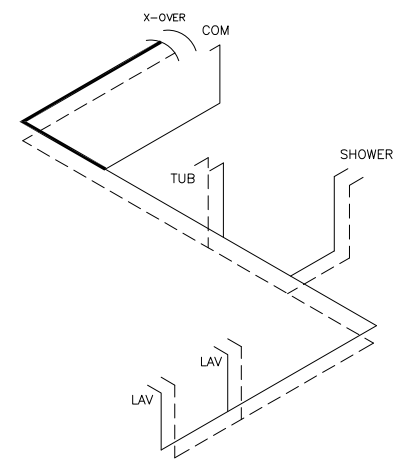
SUPPLY LINES



D.W.V. LINES



**D.W.V. LINES
 OPT. MASTER BATH**



**SUPPLY LINES
 OPT. MASTER BATH**

DWV LINE SIZE CHART

—	= 3"
—	= 2"
—	= 1 1/2"

LEGEND

A	SHORT TURN T-Y
B	LONG TURN T-Y
C	1/4 BEND
D	LONG SWEEP 1/4 BEND
E	45 ELL
F	DBL. SANITARY TEE
G	4x3 CLOSET ELL
H	DOUBLE ELL
I	22 1/2° ELL
J	45° Y
K	LONG TURN STREET ELBOW
L	45 FTG ELL

APPROVED

HWC

REVISED

MAY 14 2019
 FP-28-5193

Federal Manufactured
 Home Construction
 And Safety Standards

APPROVED

1685 SQ.FT. (STD PLAN "CONDITIONED")
 N/A SQ.FT. (W/OPT. PORCH/RECESS "CONDITIONED")

CMH MANUFACTURING	Model #: NOW28644I	Drawing #:
	Date: 3/5/19	Scale: NTS
Product Designer: E HARDWICK		28' x 64' ISLAND BREEZE
D.W.V. and Supply Lines		